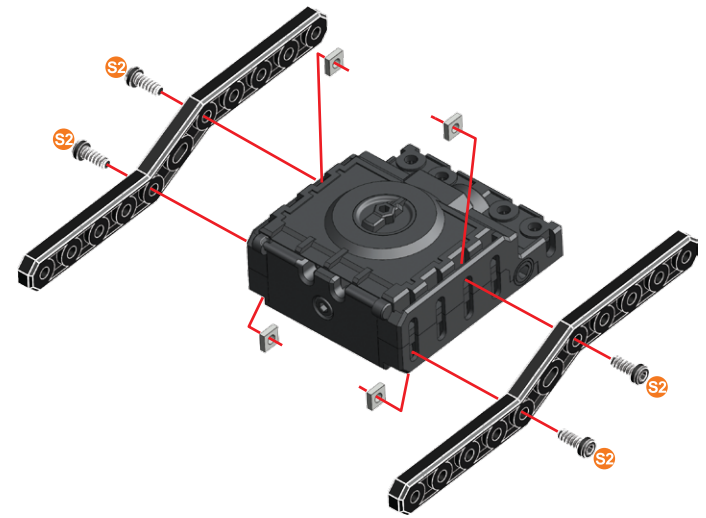


1

	9.5 mm 3/8"	x4
		x4
		x2

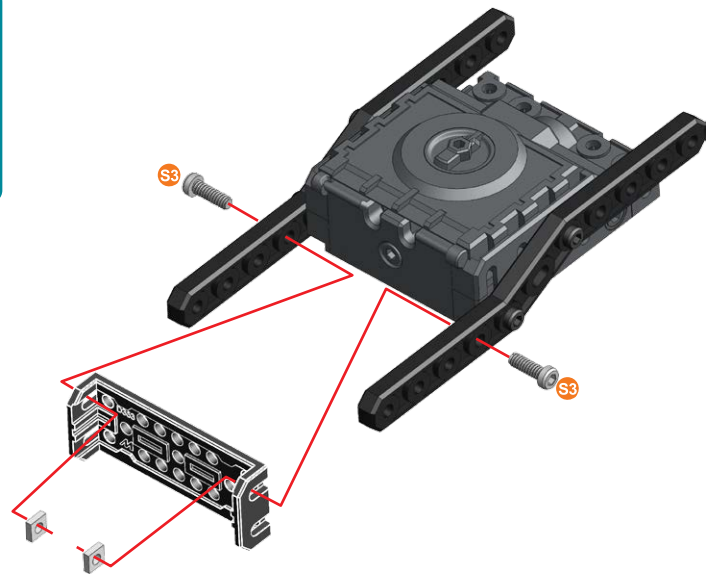
	1:1
--	-----



2

	12 mm 1/2"	x2
		x2
		x1

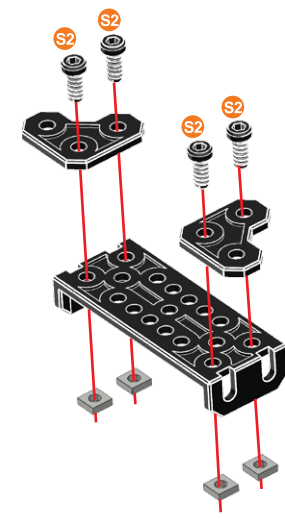
	1:1
--	-----



3

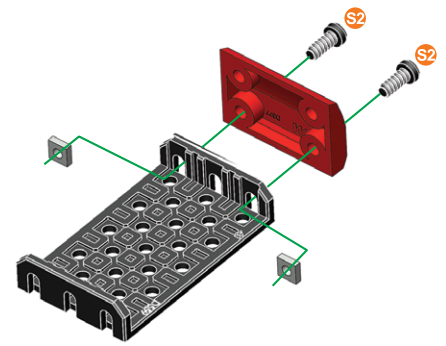
	9.5 mm 3/8"	x4
		x4
		x2
		x1

	1:1
--	-----



4

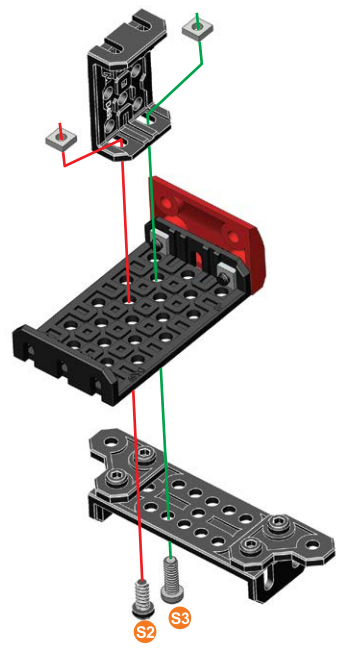
- 9.5 mm | 3/8" | x2
- | x2
- | x1
- | x1
- | 1:1



5

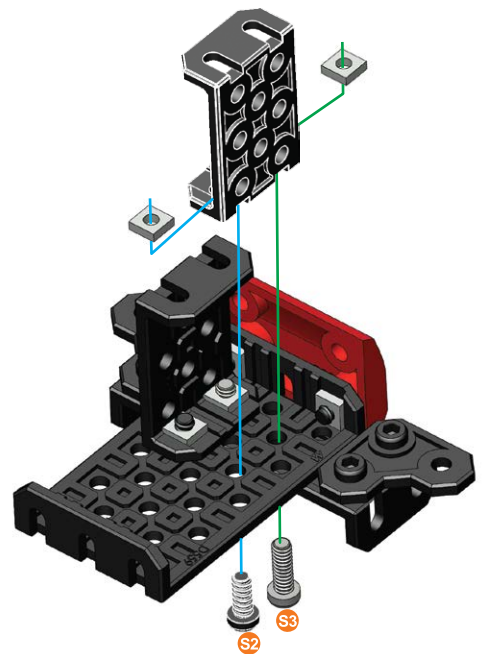
③+④+

- 9.5 mm | 3/8" | x1
- 12 mm | 1/2" | x1
- | x2
- | x1
- | 1:1
- | 1:1



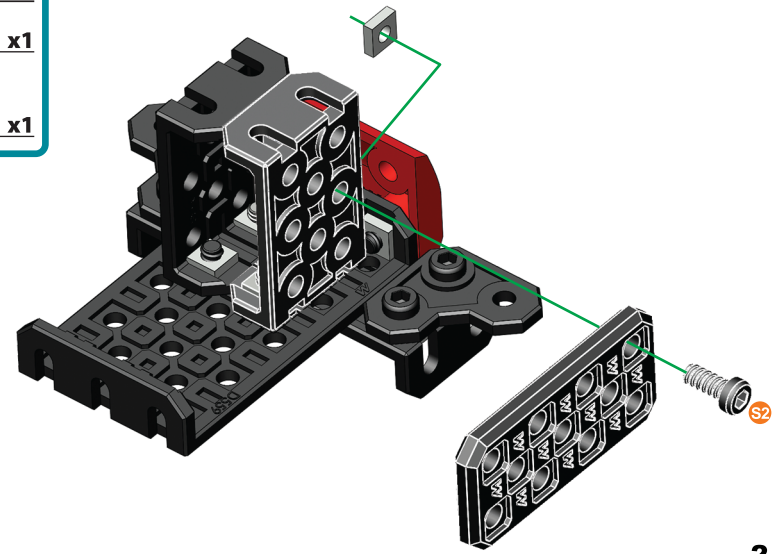
6

- 9.5 mm | 3/8" | x1
- 12 mm | 1/2" | x1
- | x2
- | x1
- | 1:1
- | 1:1







7


- 9.5 mm | 3/8" | x1
- | x1
- | x1
- | 1:1

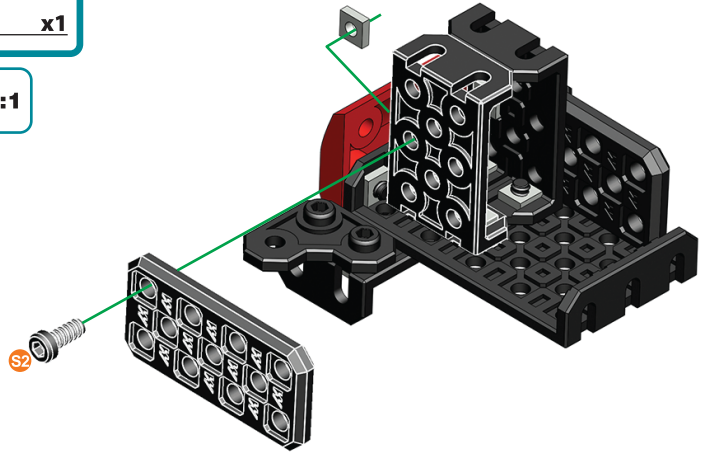


8


	9.5 mm 3/8"	x1
		x1
		x1



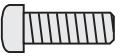
 1:1 |

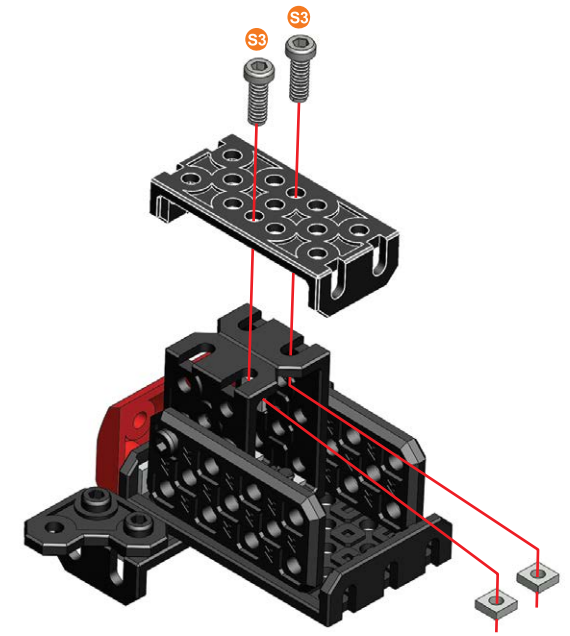


9



	12 mm 1/2"	x2
		x2
		x1

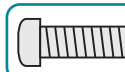



 1:1 |

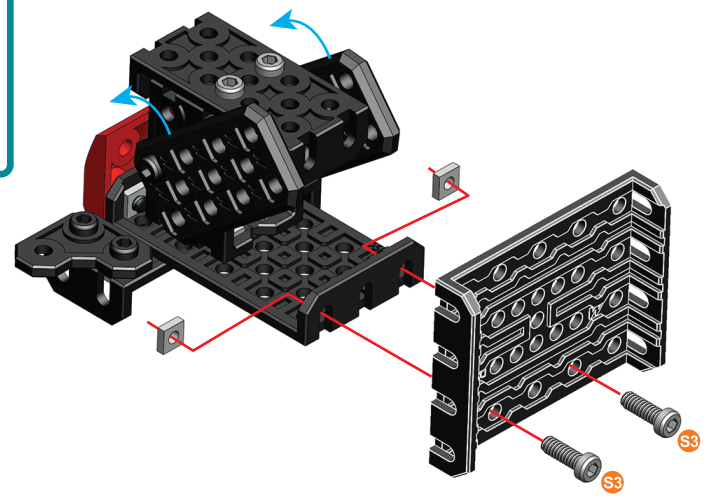


10




	12 mm 1/2"	x2
		x2
		x1





 1:1 |

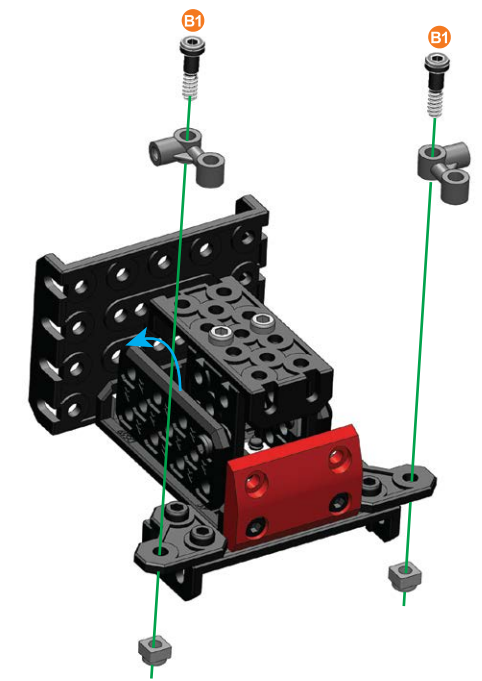


11

	14.7 mm 37/64"	x2
		x2
		x2



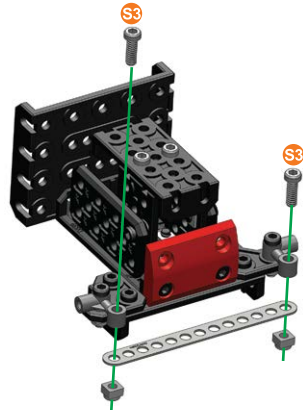
 1:1 |



12

- S3 | 12 mm | 1/2" | x2
- S3 | x2
- x1

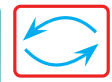
- S3 | 1:1



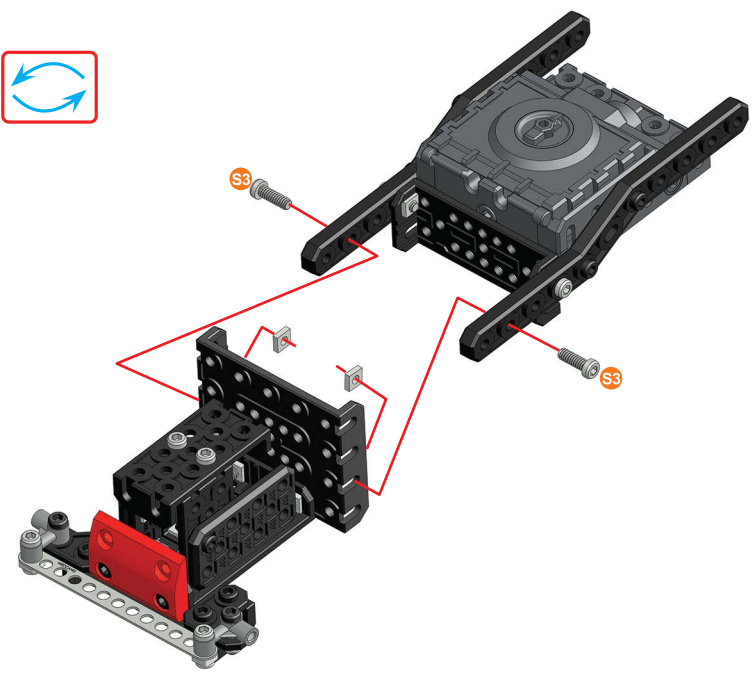
13

②+⑫+

- S3 | 12 mm | 1/2" | x2
- S3 | x2



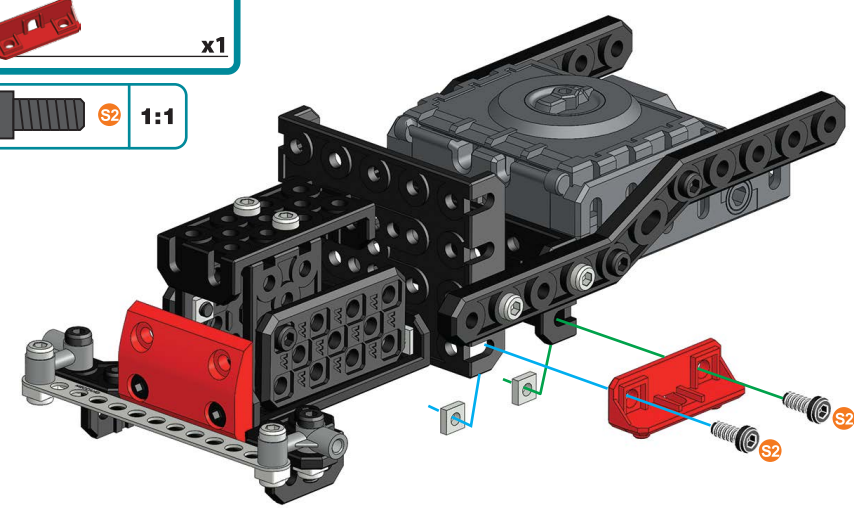
- S3 | 1:1



14

- S2 | 9.5 mm | 3/8" | x2
- S2 | x2
- x1

- S2 | 1:1

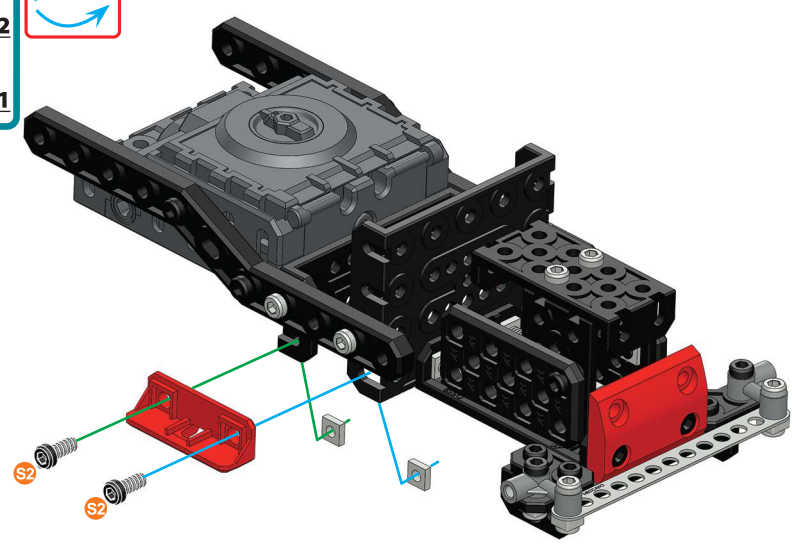


15

- S2 | 9.5 mm | 3/8" | x2
- S2 | x2
- x1



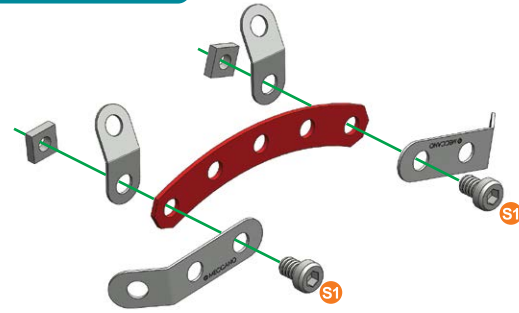
- S2 | 1:1



16

- 5.8 mm | 15/64" | x2
- x2
- x2
- x2
- x1

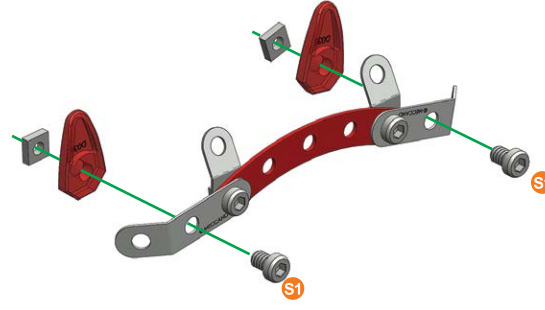
- 1:1



17

- 5.8 mm | 15/64" | x2
- x2
- x2

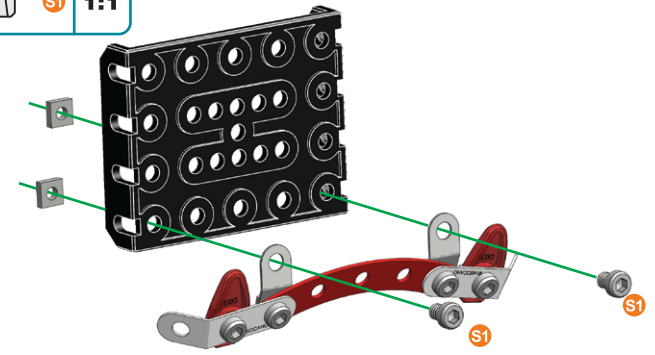
- 1:1



18

- 5.8 mm | 15/64" | x2
- x2
- x1

- 1:1

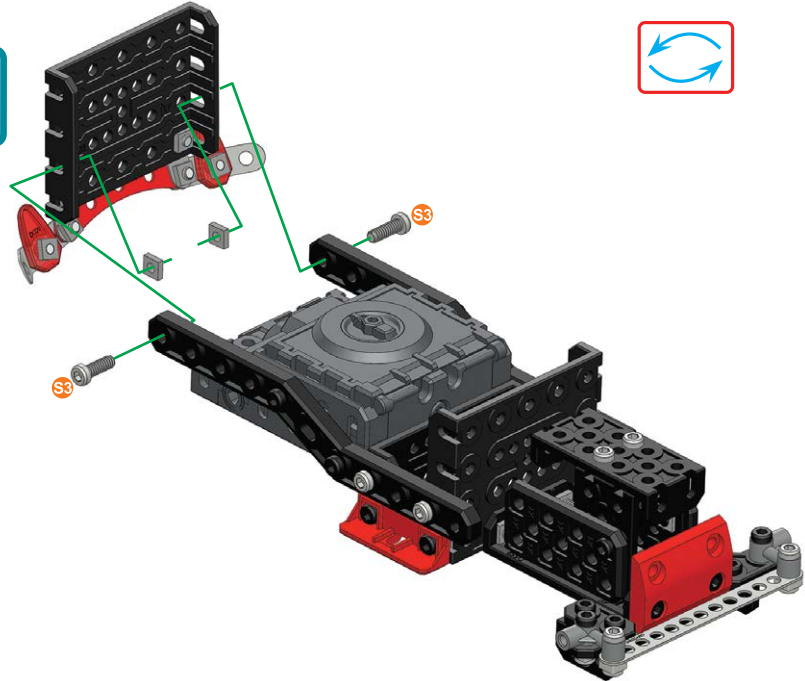


19

15+18+

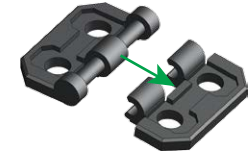
- 12 mm | 1/2" | x2
- x2

- 1:1



20

- x1
- x1

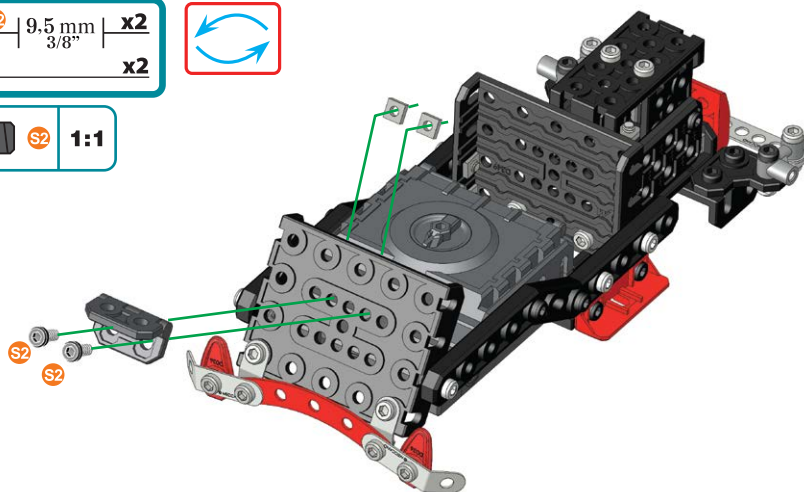


21**19+20+**

	9.5 mm 3/8"	x2
		x2



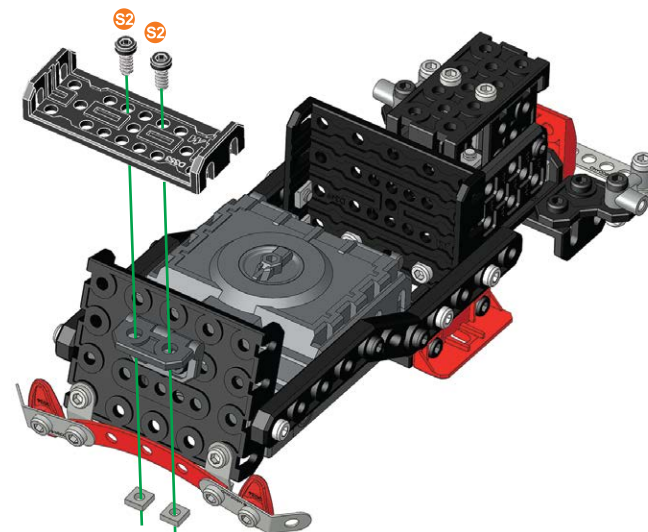
	1:1
---	------------

**22**


	9.5 mm 3/8"	x2
		x2

	x1
---	-----------


	1:1
---	------------

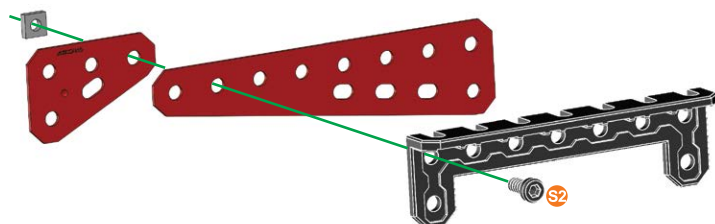
**23**

	9.5 mm 3/8"	x1
		x1

	x1
---	-----------

	x1
---	-----------

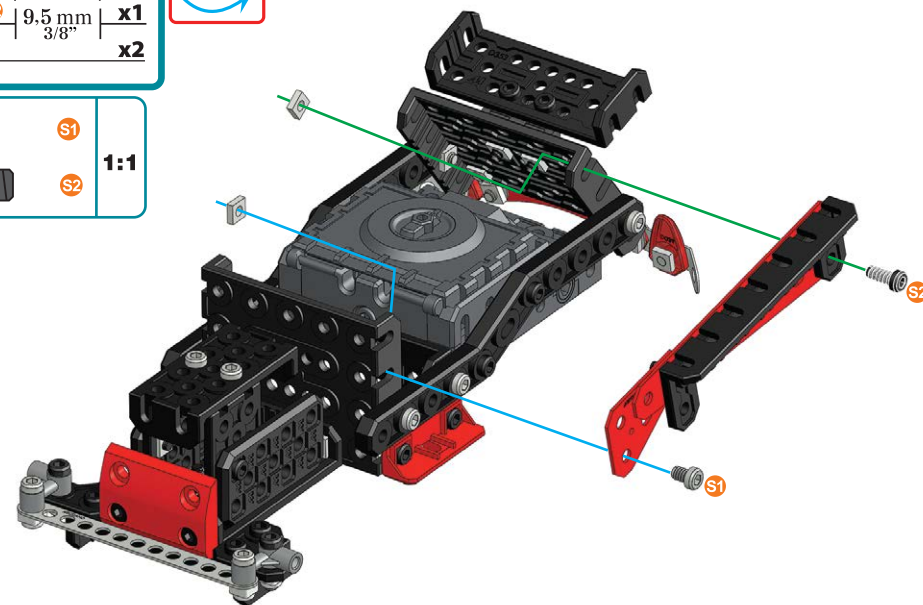
	x1
---	-----------

**24****22+23+**

	5.8 mm 15/64"	x1
	9.5 mm 3/8"	x1
		x2

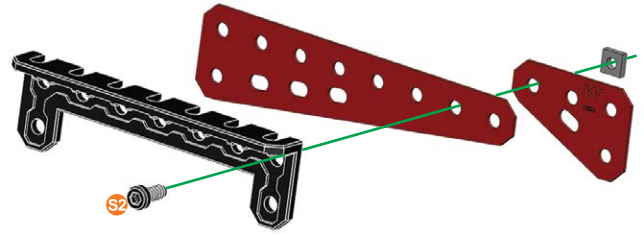


	S1	1:1
	S2	



25

- 9.5 mm | 3/8" | x1
- x1
- x1
- x1
- x1
- x1

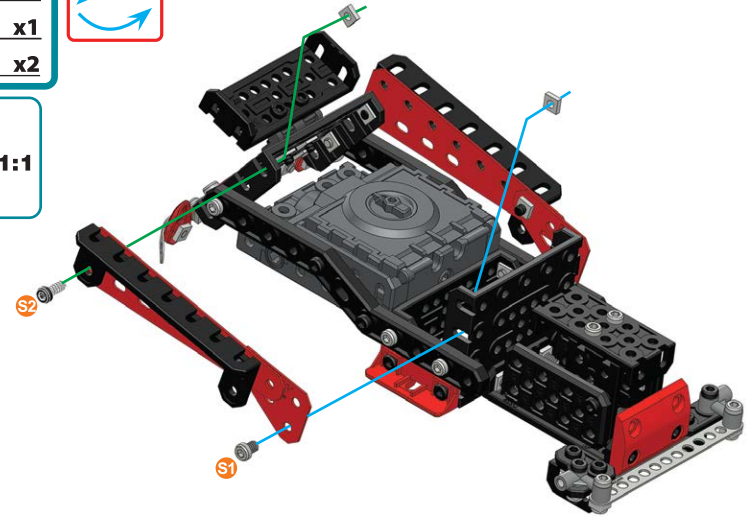
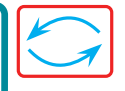


26

24+ 25+

- 5.8 mm | 15/64" | x1
- 9.5 mm | 3/8" | x1
- x2

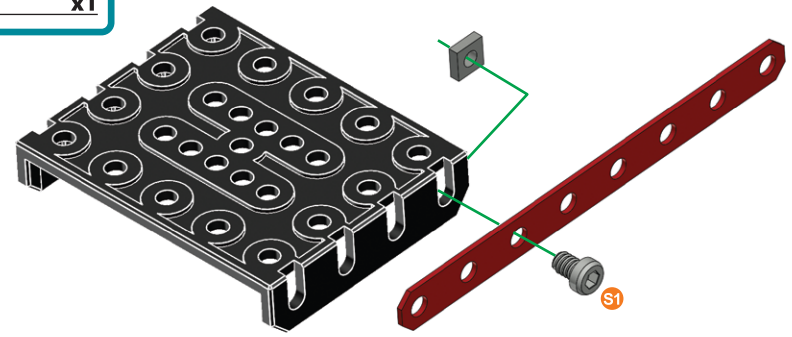
- x1
- x1



27

- 5.8 mm | 15/64" | x1
- x1
- x1
- x1

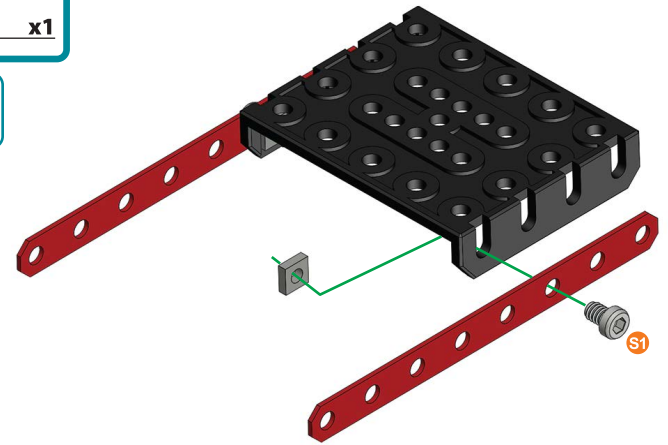
- x1
- x1






28

- 5.8 mm | 15/64" | x1
- x1
- x1

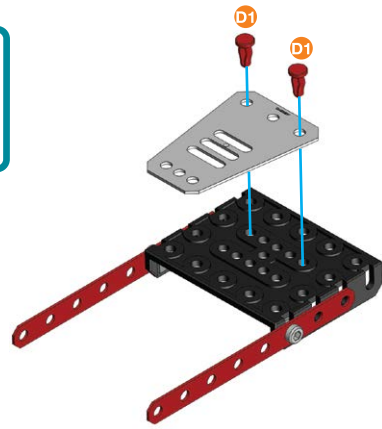
- x1
- x1






29

-  **D1** | 11.25mm | **x2**
7/16"
-  **x1**
-  **x1**

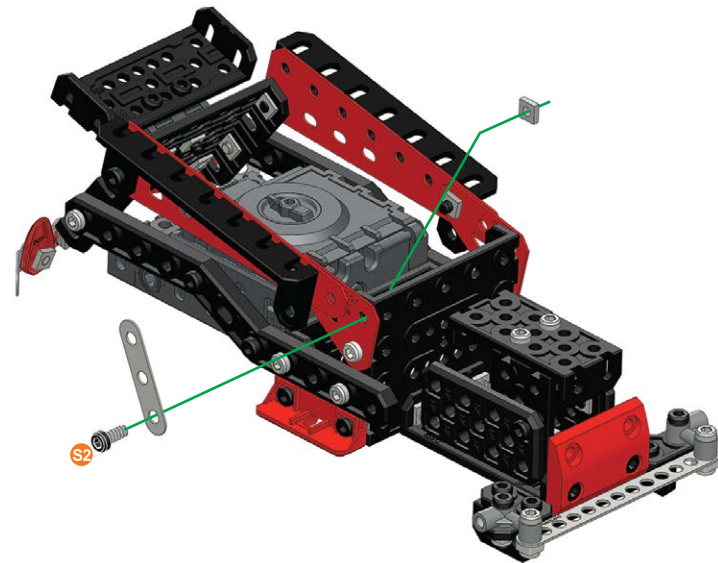
-  **D1** | **1:1**




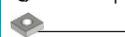

30

-  **S2** | 9.5 mm | **x1**
3/8"
-  **x1**
-  **x1**

-  **S2** | **1:1**

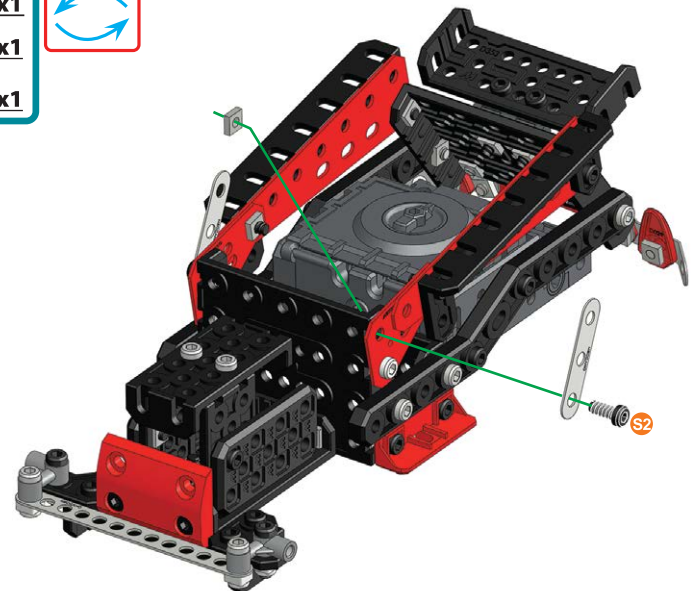


31

-  **S2** | 9.5 mm | **x1**
3/8"
-  **x1**
-  **x1**





-  **S2** | **1:1**

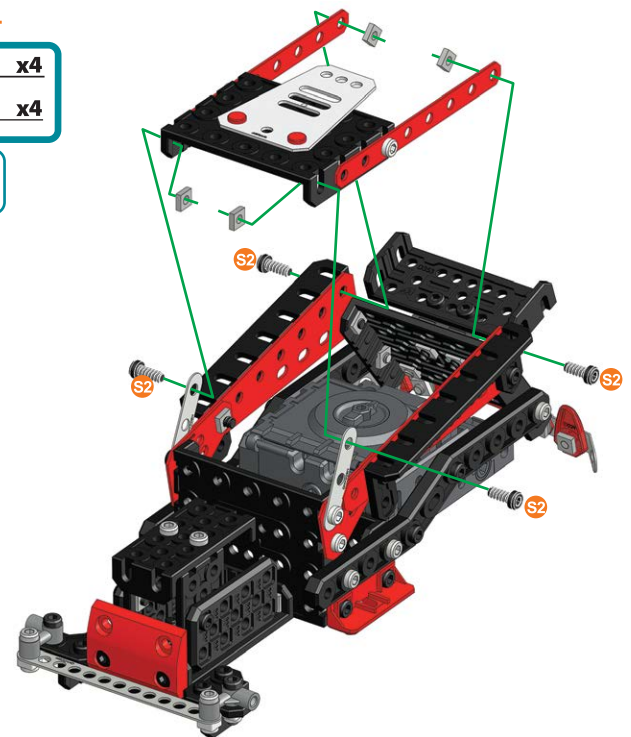


32

29+31+

-  **S2** | 9.5 mm | **x4**
3/8"
-  **x4**
-  **x4**

-  **S2** | **1:1**



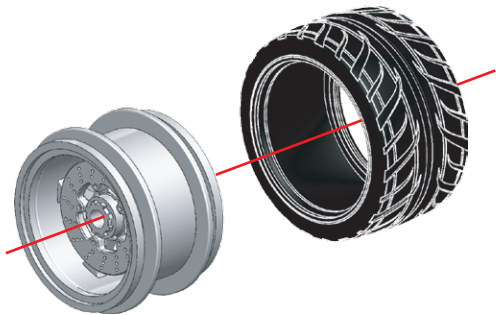
33



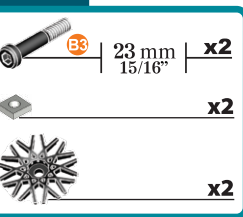
x2



x2



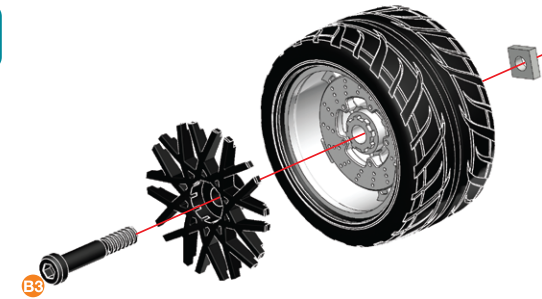
34



x1

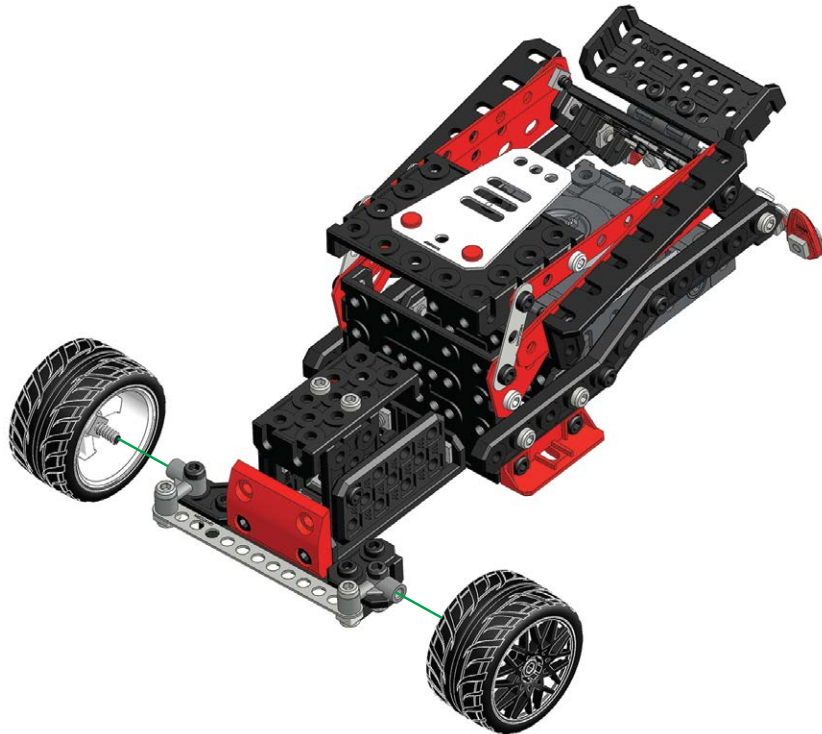


x1







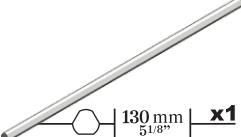
35

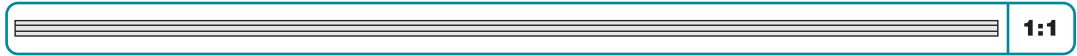
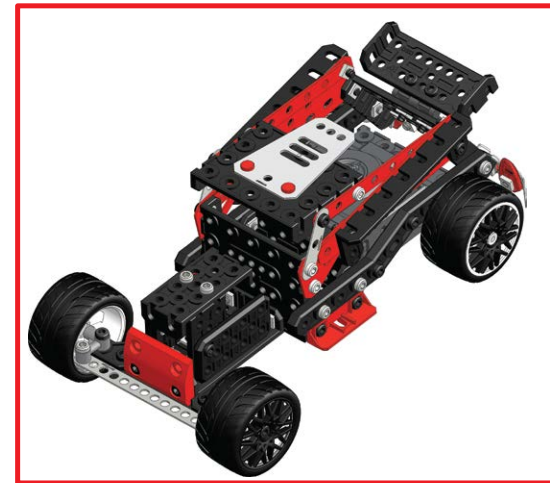
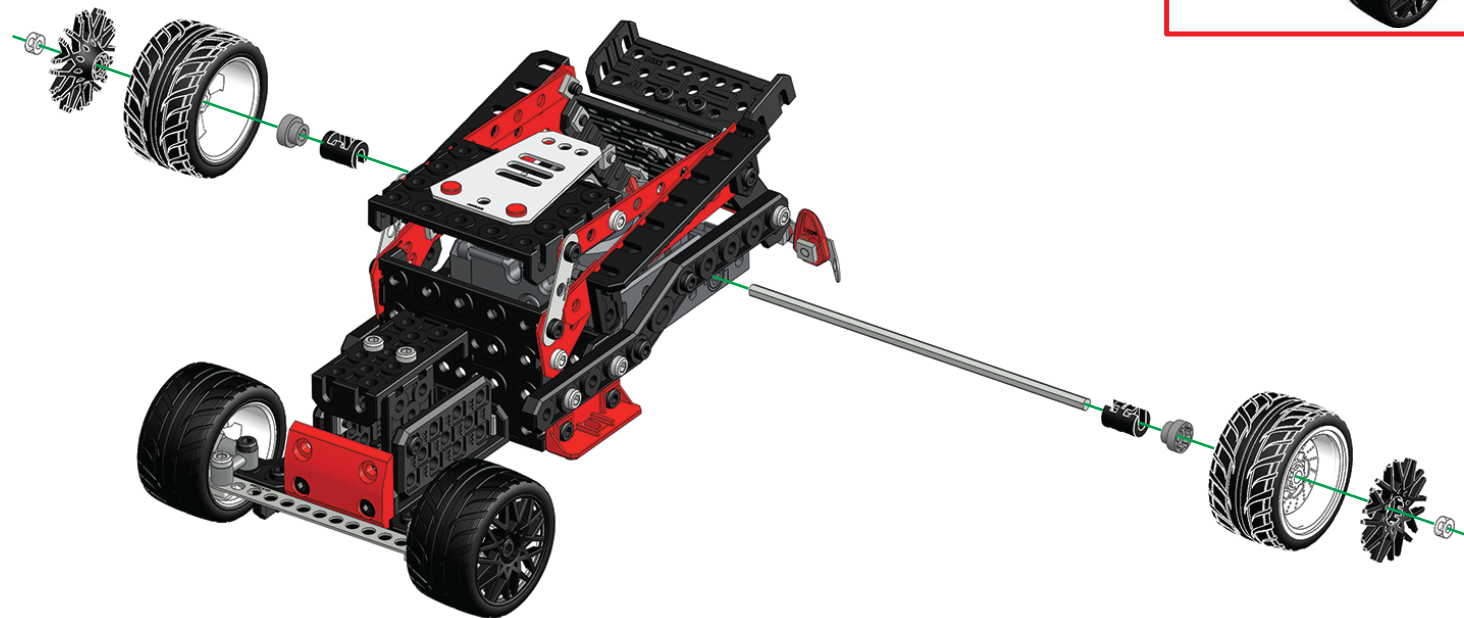
32+34+



36

33+35+

	x2
	x2
	x2
	x2
	x1



1:1