



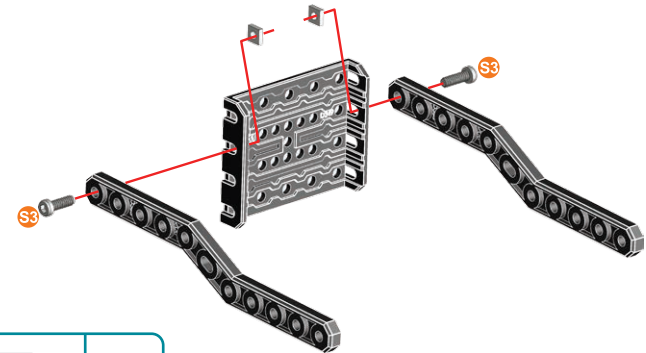
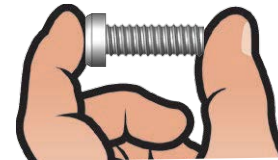


1




-  | 12 mm |  $\frac{1}{2}$ " | x2
-  | x2
-  | x2
-  | x1



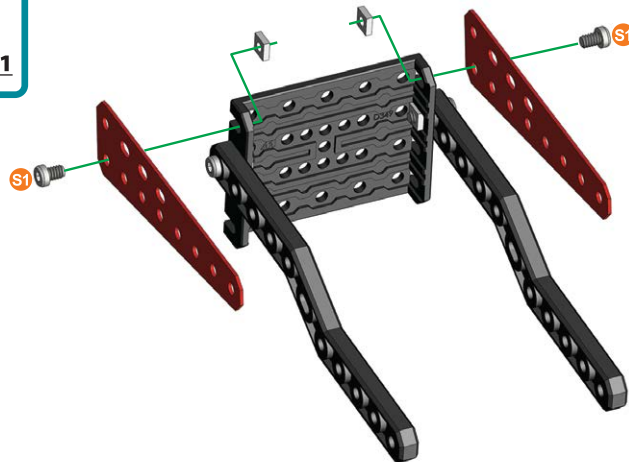
-  | x1







2

-  | 5.8 mm |  $\frac{15}{64}$ " | x2
-  | x2
-  | x1

-  | x1

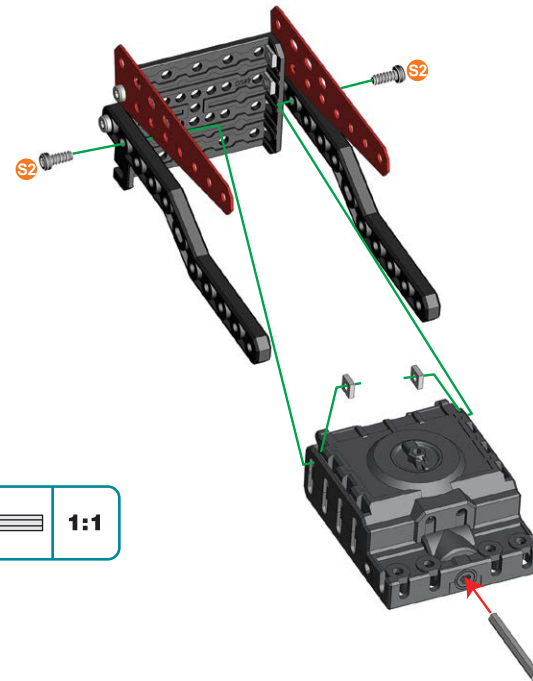


3

-  | 9.5 mm |  $\frac{3}{8}$ " | x2
-  | x2
-  | 40 mm |  $\frac{19}{16}$ " | x1
-  | x1

-  | x1

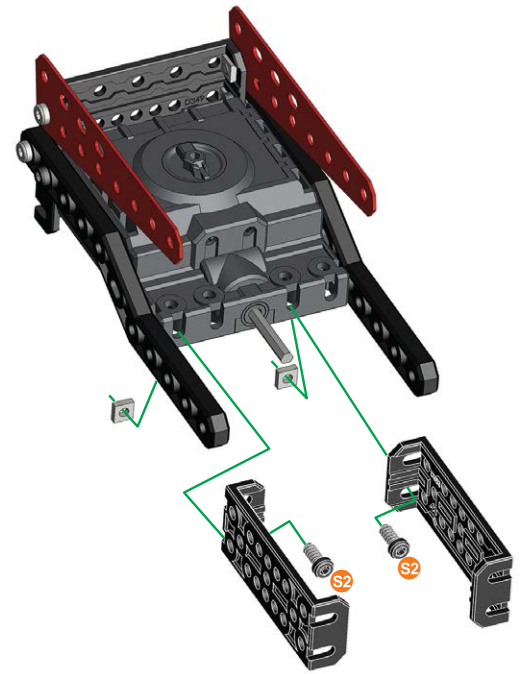
-  | x1



# 4

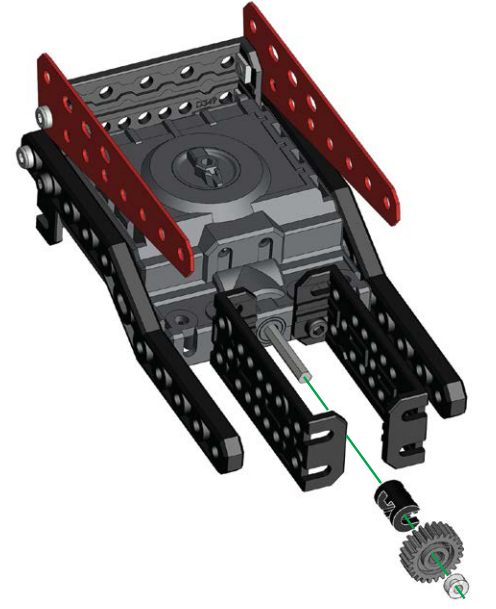
- 9.5 mm | 3/8" | x2
- x2
- x2

- 1:1



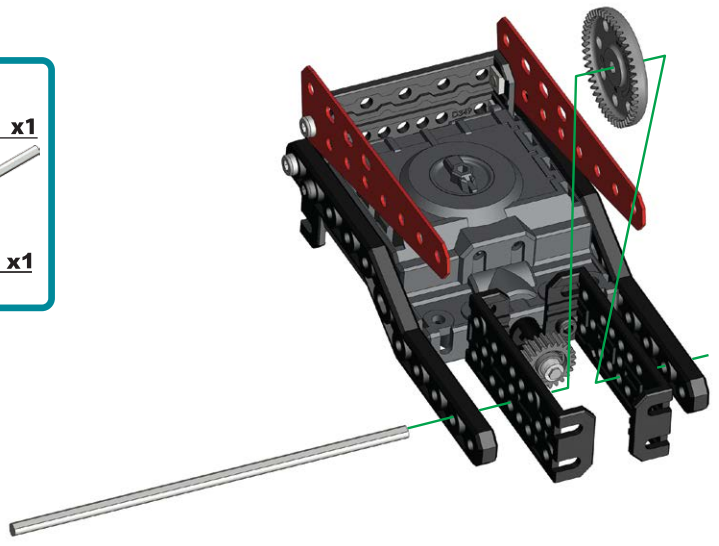
# 5

- x1
- x1
- x1



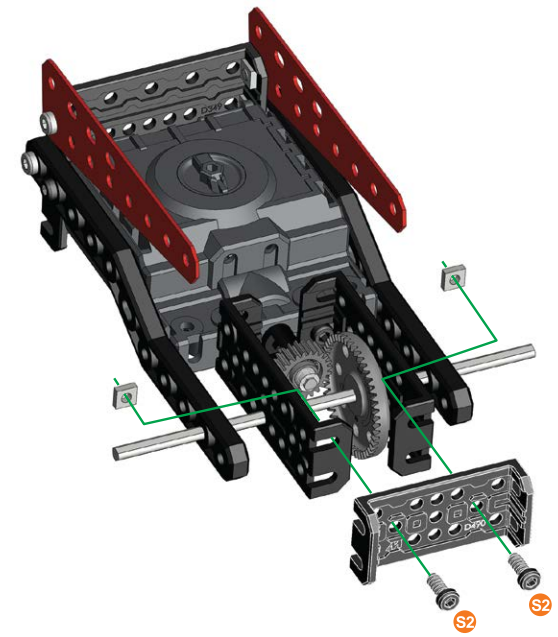
# 6

- x1
- x1
- 130 mm | 5 1/8" | x1



# 7

- 9.5 mm | 3/8" | x2
- x2
- x1
- 1:1

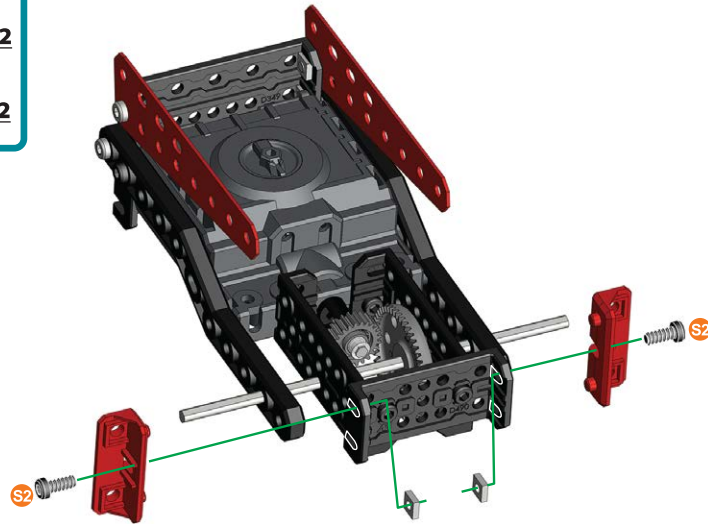


- 1:1

# 8

- | 9,5 mm | 3/8" | x2
- | x2
- | x2

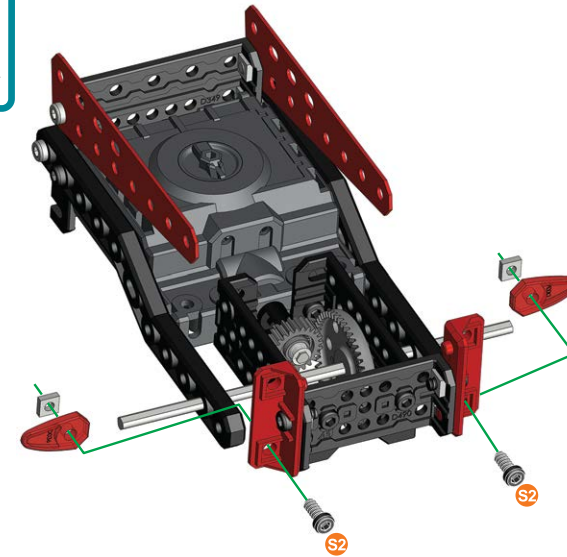
- | 1:1



# 9

- | 9,5 mm | 3/8" | x2
- | x2
- | x2

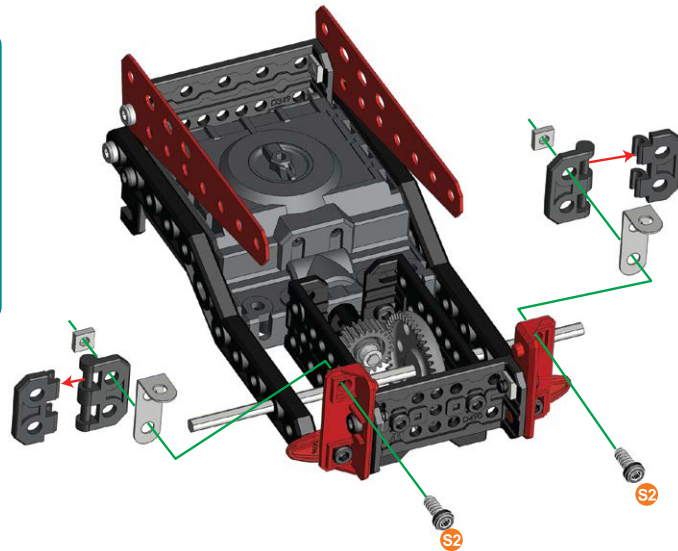
- | 1:1



# 10

- | 9,5 mm | 3/8" | x2
- | x2
- | x2
- | x2
- | x2

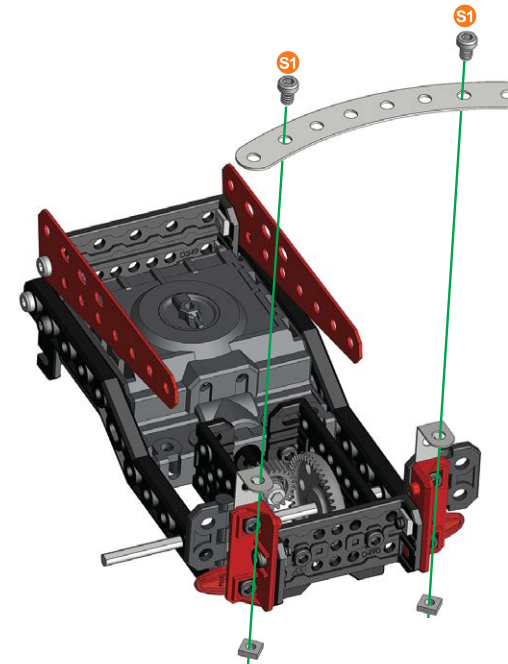
- | 1:1







# 11

- | 5,8 mm | 15/64" | x2
- | x2
- | x1

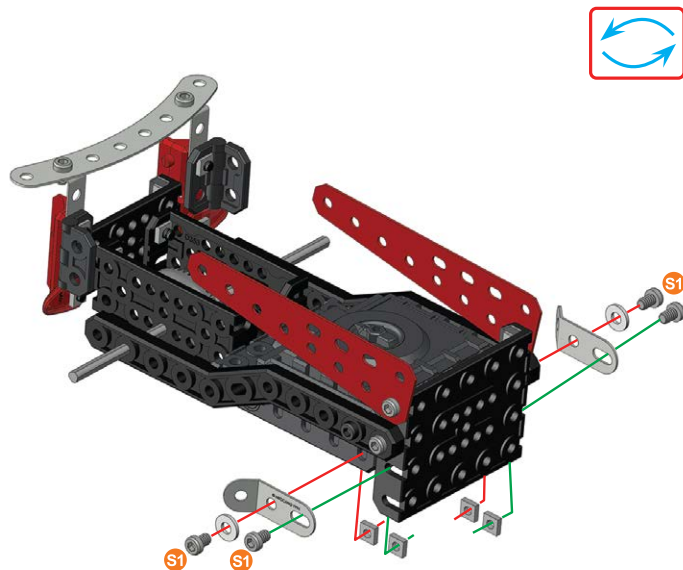
- | 1:1






12

-  | 5,8 mm | x4
-  | x4
-  | x2
-  | x2

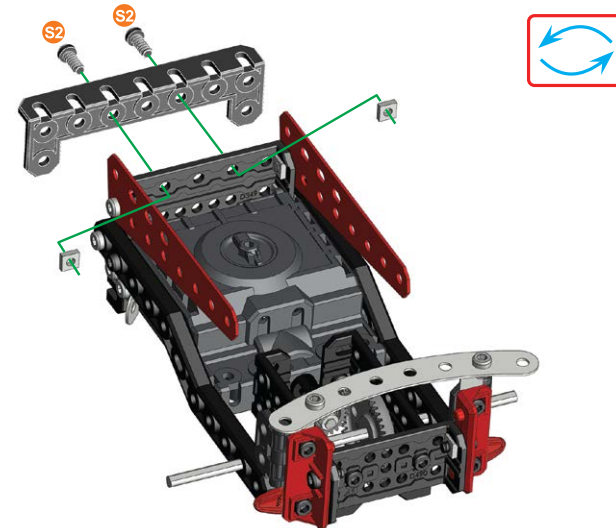
-  | 1:1







13

-  | 9,5 mm | x2
-  | x2
-  | x1

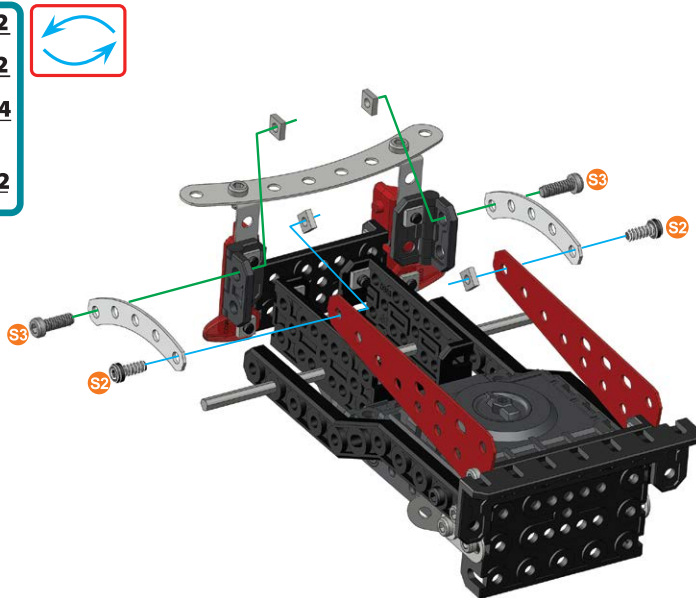
-  | 1:1







14

-  | 9,5 mm | x2
-  | 12 mm | x2
-  | x4
-  | x2

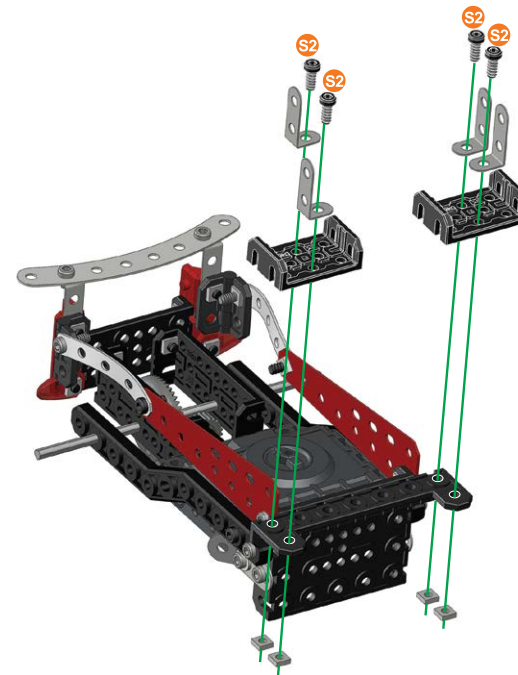
-  | 1:1
-  | 1:1



15

-  | 9,5 mm | x4
-  | x4
-  | x4
-  | x2

-  | 1:1

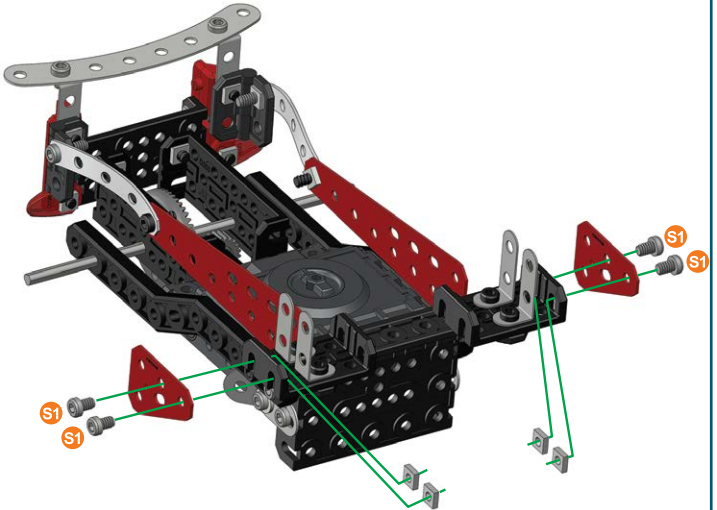


16

(12)+(14)+

- S1 | 5.8 mm | 15/64" | x4
- S1 | x4
- x2
- x2

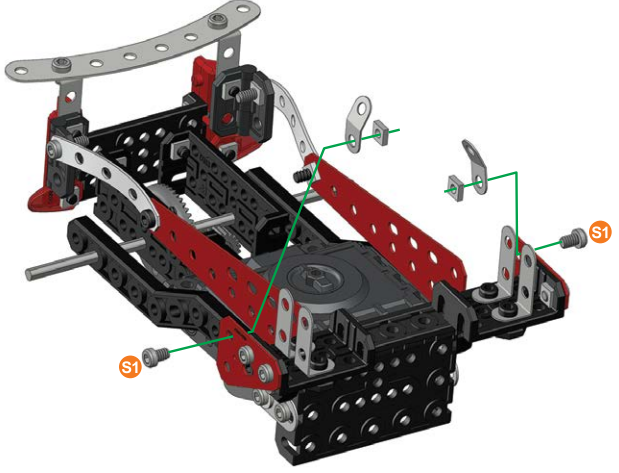
S1 | 1:1



17

- S1 | 5.8 mm | 15/64" | x2
- S1 | x2
- S1 | x2

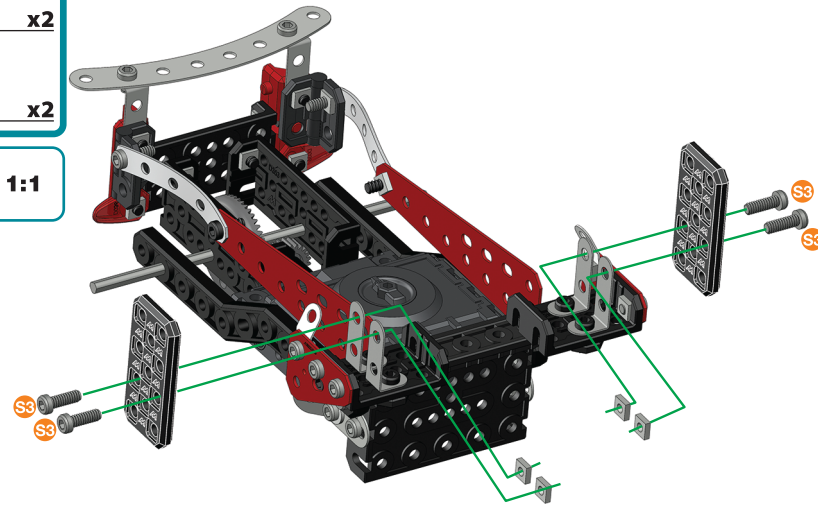
S1 | 1:1



18

- S3 | 12 mm | 1/2" | x2
- S3 | x2
- x2

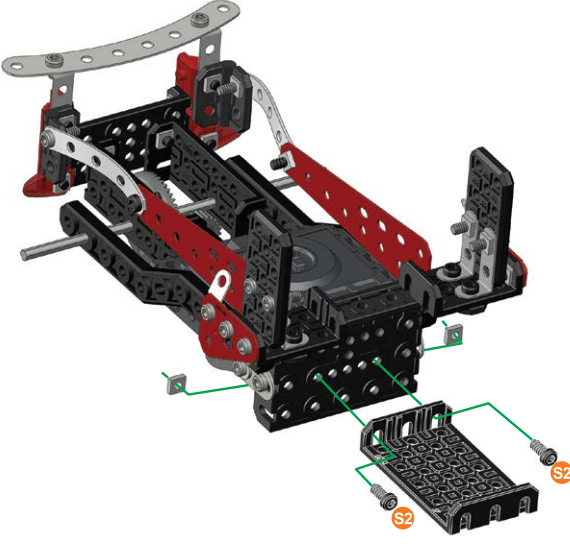
S3 | 1:1



19

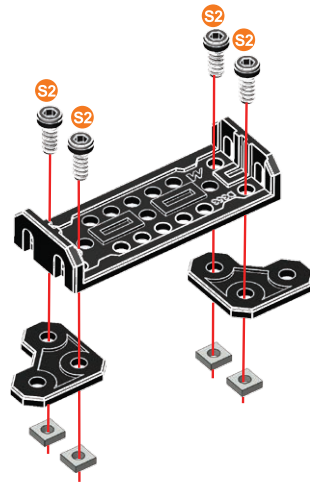
- S2 | 9.5 mm | 3/8" | x2
- S2 | x2
- x1

S2 | 1:1



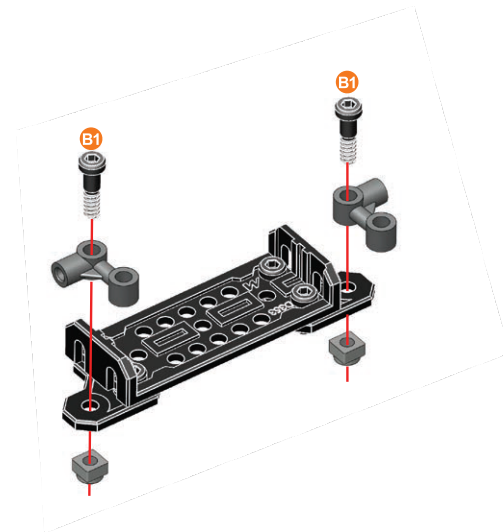
20

- S2 | 9.5 mm | 3/8" | x4
- S2 | x4
- x1
- x1
- S2 | 1:1



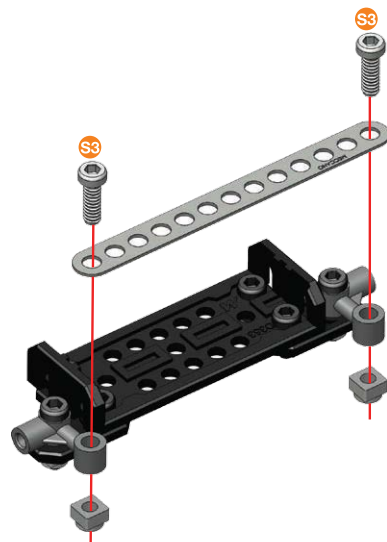
21

- B1 | 14.7 mm | 37/64" | x2
- x2
- x2
- S2 | 1:1



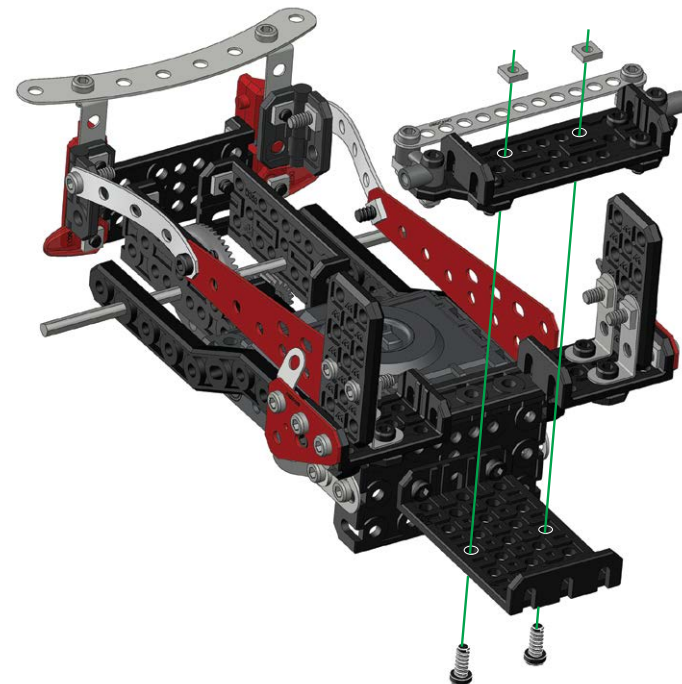
22

- S3 | 12 mm | 1/2" | x2
- S3 | x2
- x2
- S3 | 1:1



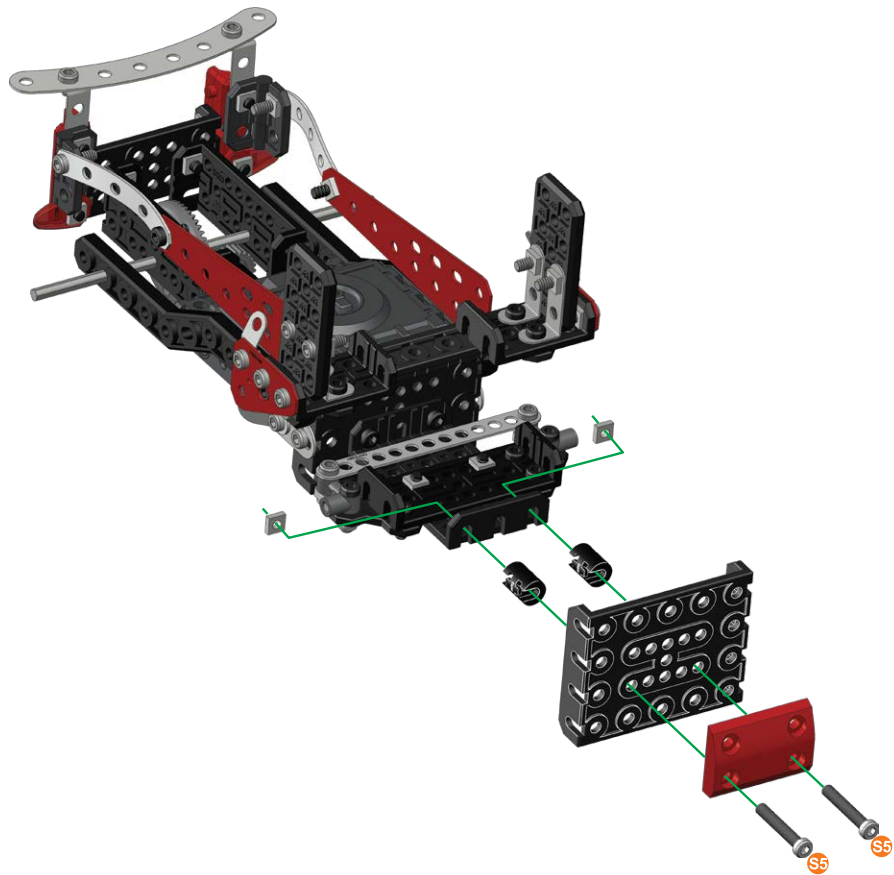
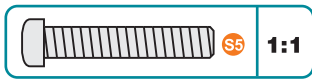
23

- S2 | 9.5 mm | 3/8" | x2
- S2 | x2
- S2 | 1:1



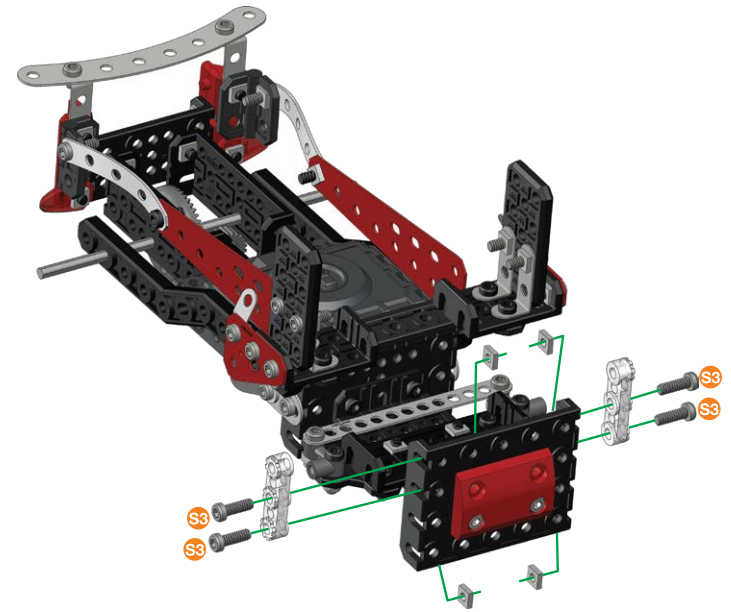
# 24

- | 25.4 mm | 1" | **x2**
- | **x2**
- | **x2**
- | **x1**
- | **x1**



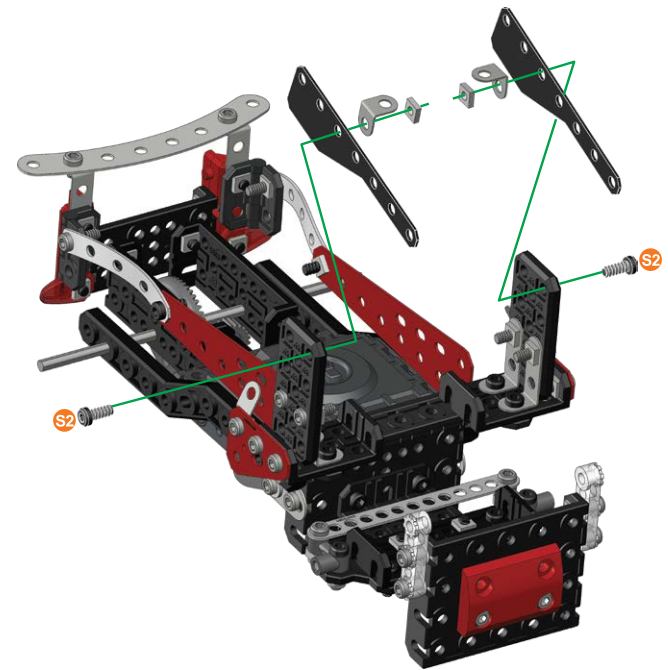
# 25

- | 12 mm | 1/2" | **x4**
- | **x4**
- | **x2**



# 26

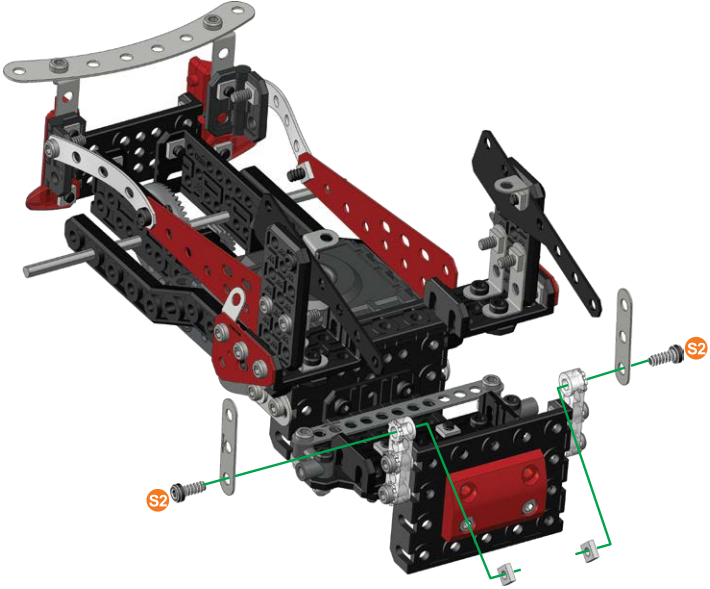
- | 9.5 mm | 3/8" | **x2**
- | **x2**
- | **x2**
- | **x2**



27

- 9.5 mm | x2
- 3/8" | x2
- | x2

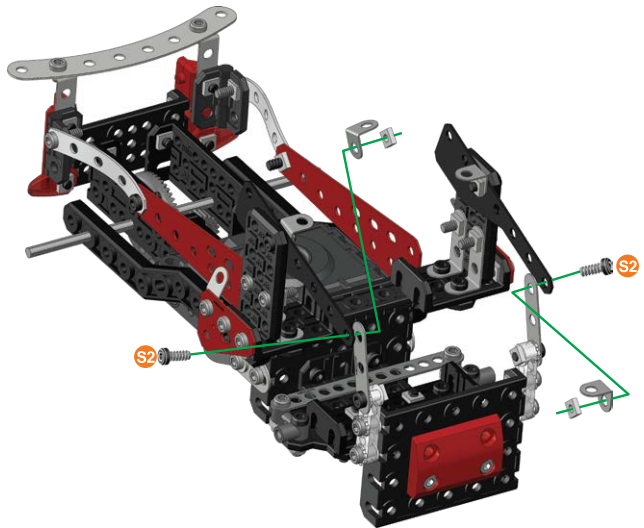
- 1:1



28

- 9.5 mm | x2
- 3/8" | x2
- | x2

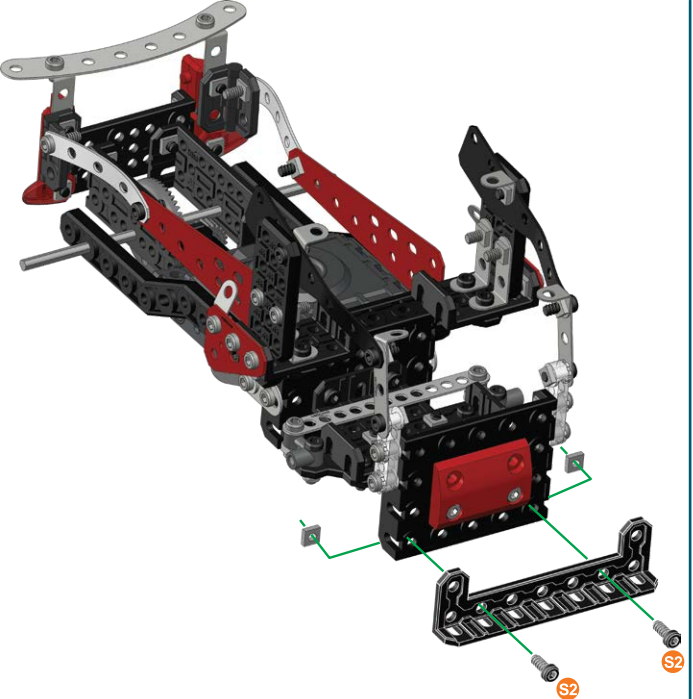
- 1:1



29

- 9.5 mm | x2
- 3/8" | x2
- | x1

- 1:1

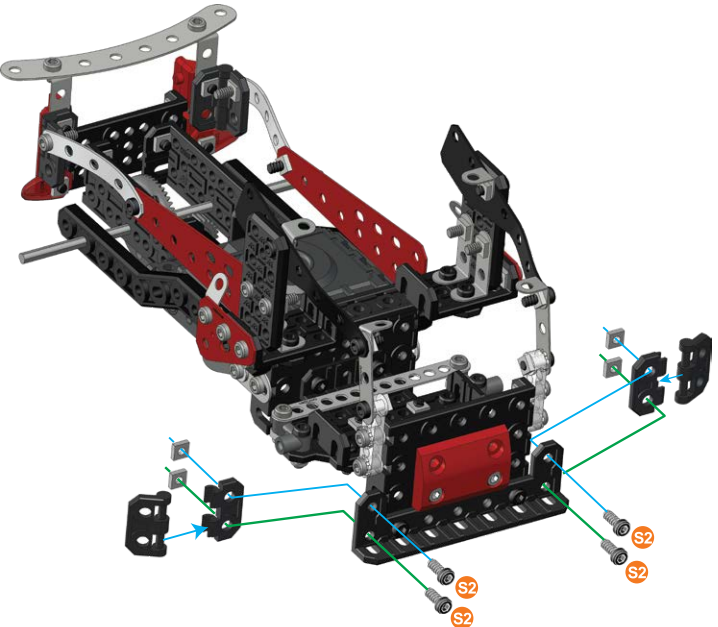


30



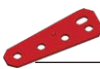

27+28+

- 9.5 mm | x4
- 3/8" | x4
- | x2
- | x2

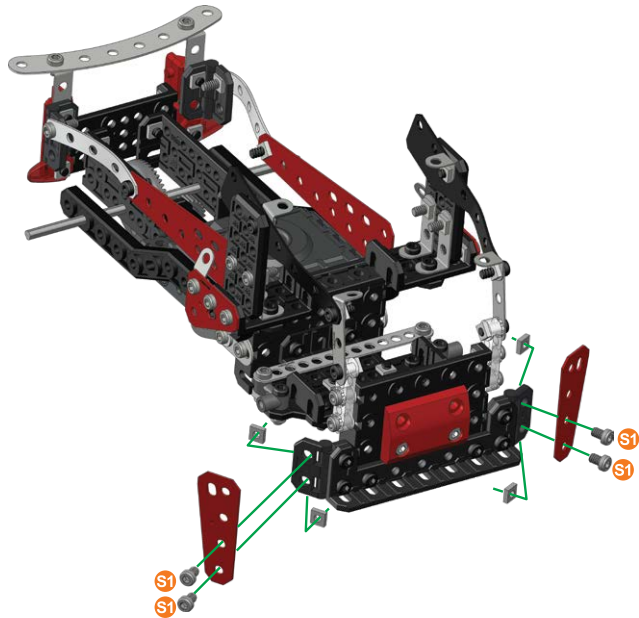
- 1:1







### 31

-  5.8 mm | 15/64" | x4
-  x4
-  x2
-  x2

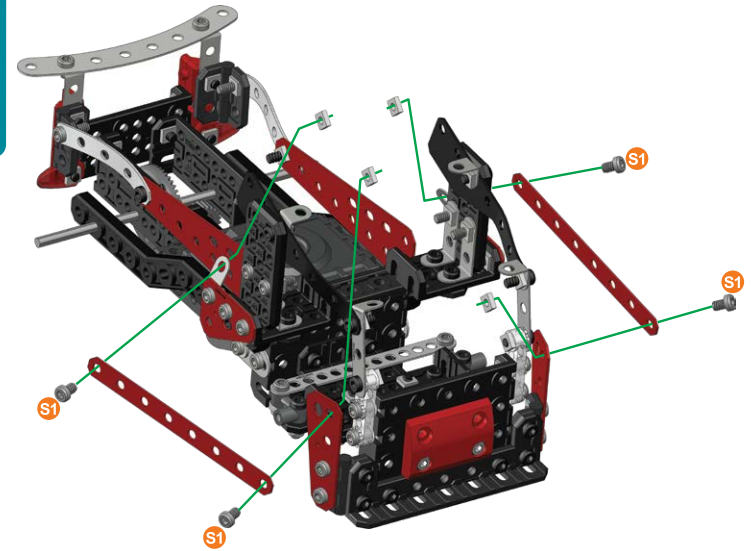
-  S1 | 1:1



### 32






-  5.8 mm | 15/64" | x4
-  x4
-  x2
-  x2

-  S1 | 1:1

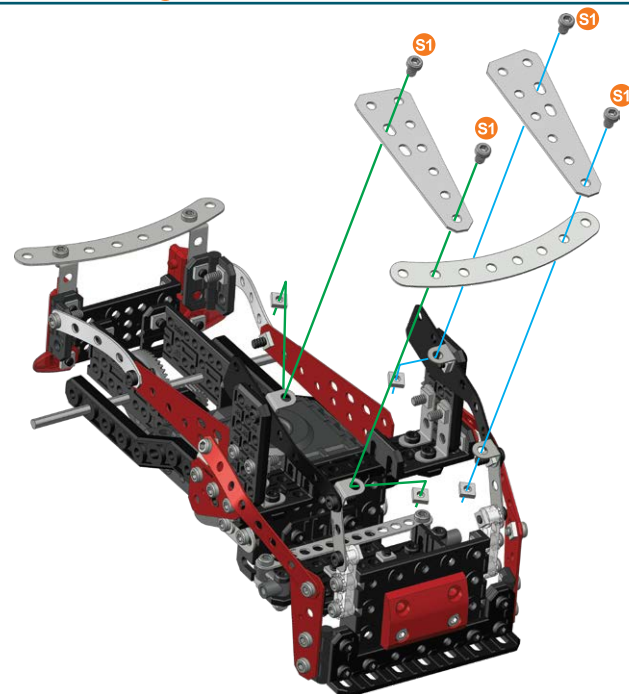


### 33




30+31+

-  5.8 mm | 15/64" | x4
-  x4
-  x1
-  x2
-  x2

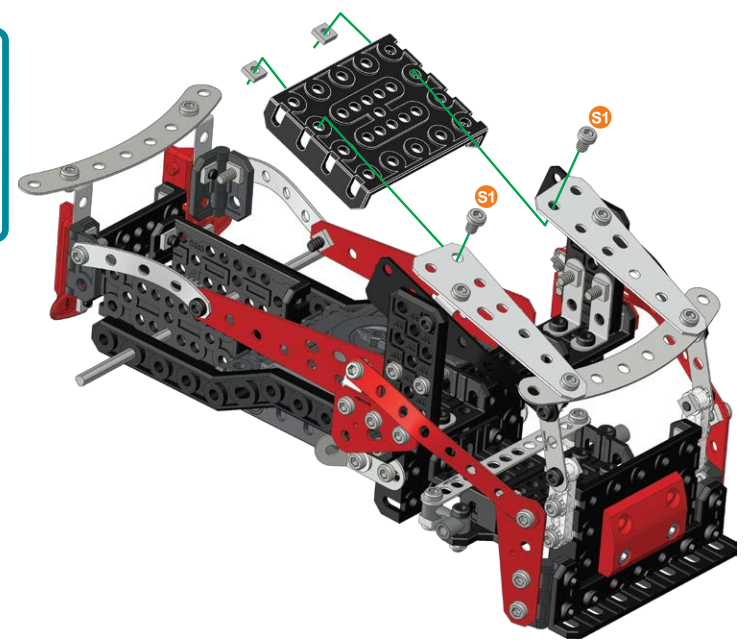
-  S1 | 1:1



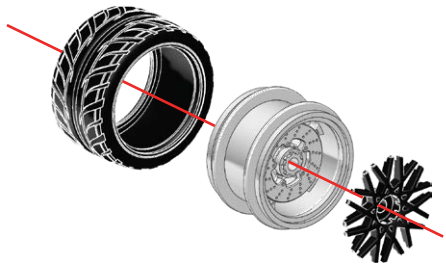
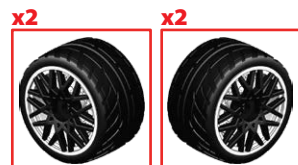
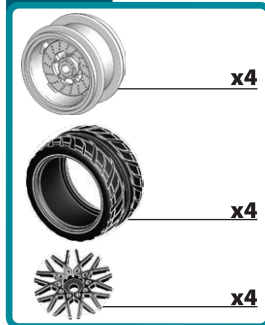
### 34

-  5.8 mm | 15/64" | x2
-  x2
-  x1

-  S1 | 1:1

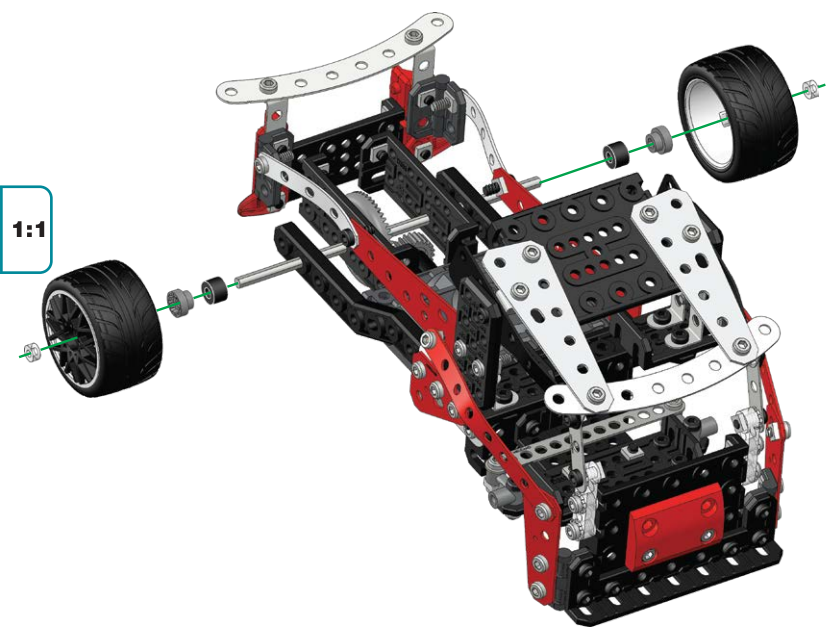


### 35



### 36

34+35+



### 37

35+36+

