
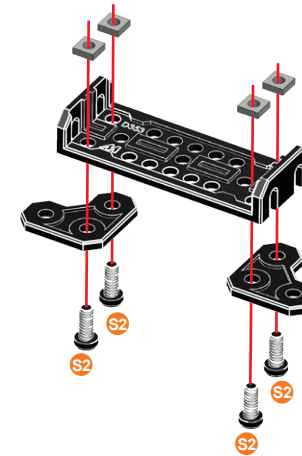
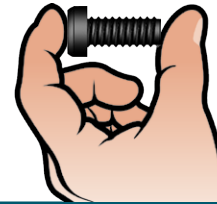


1





-  9.5 mm | 3/8" | **x4**
-  **x4**
-  **x2**
-  **x1**

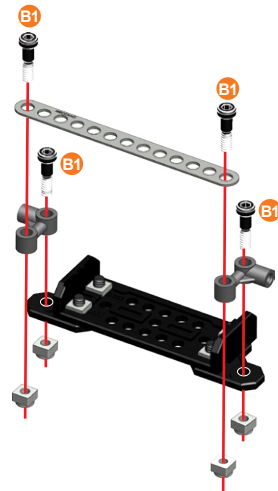


-  **1:1**







2

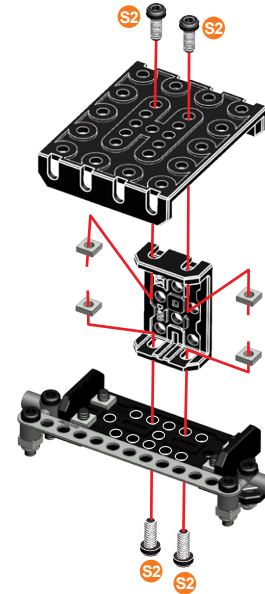
-  14.7 mm | 37/64" | **x4**
-  **x4**
-  **x2**
-  **x1**



-  **1:1**

3

-  9.5 mm | 3/8" | **x4**
-  **x4**
-  **x1**
-  **x1**

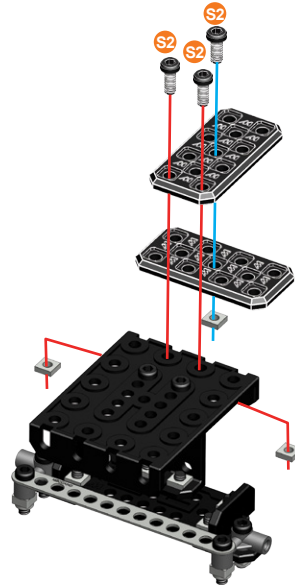


-  **1:1**

4

- 9.5 mm | 3/8" | x3
- x3
- x2

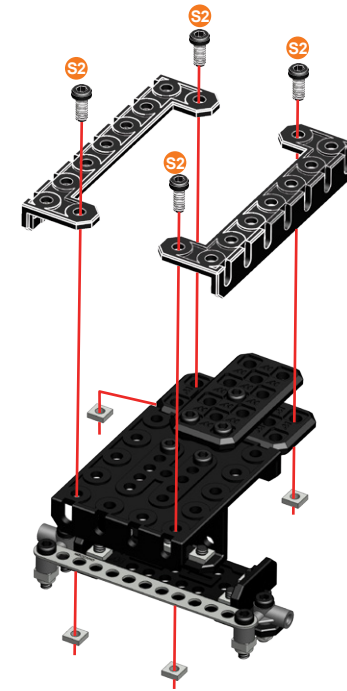
- 1:1



5

- 9.5 mm | 3/8" | x4
- x4
- x2

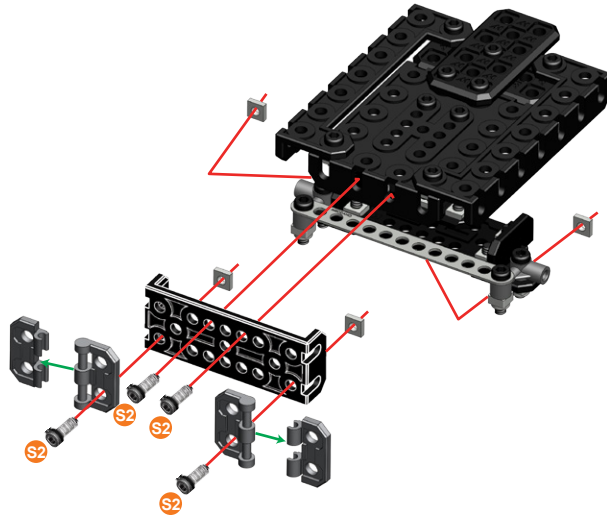
- 1:1



6

- 9.5 mm | 3/8" | x4
- x4
- x2
- x2
- x1

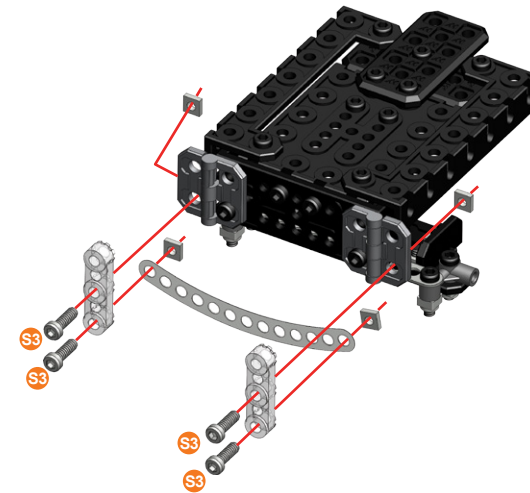
- 1:1



7

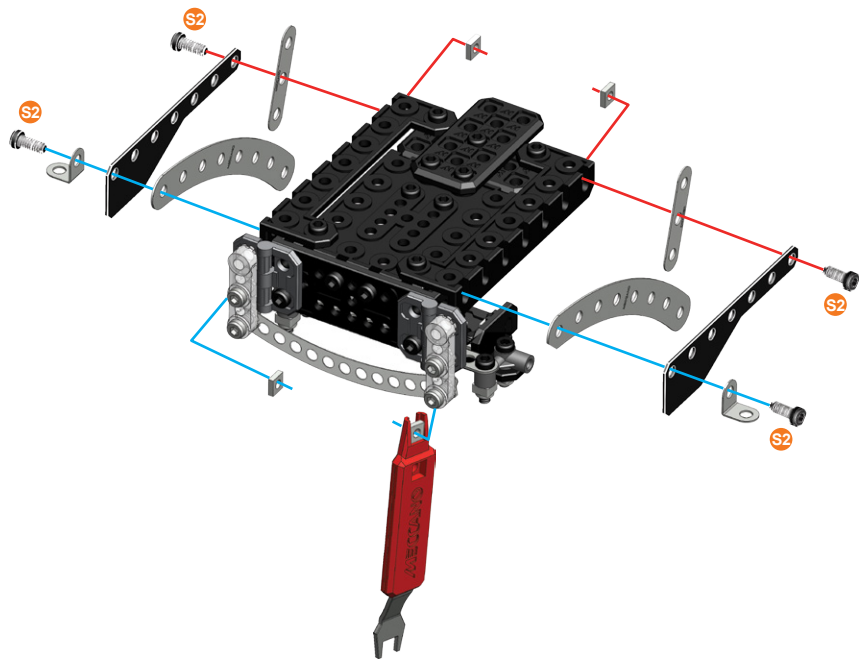
- 12 mm | 1/2" | x4
- x4
- x2
- x1

- 1:1



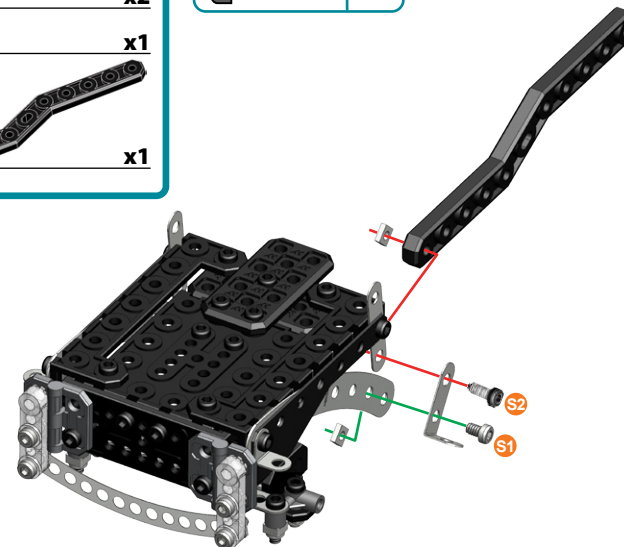
- 8**
- 9.5 mm | 3/8" | **x4**
 - x4**
 - x2**
 - x2**
 - x2**
 - x2**

- 1:1**



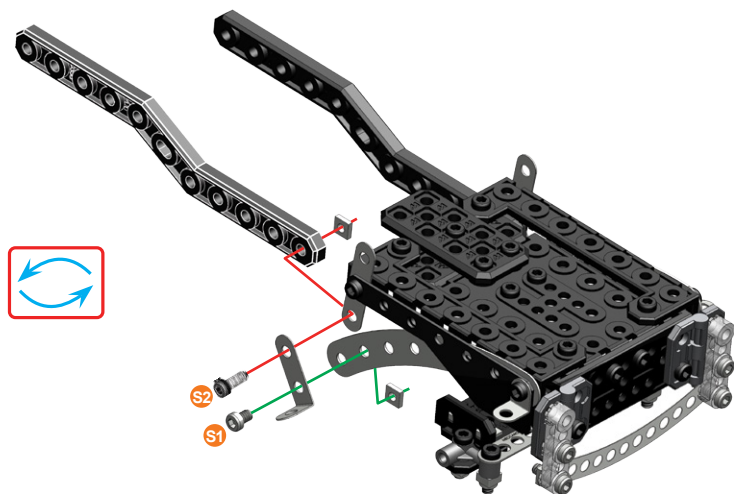
- 9**
- 5.8 mm | 15/64" | **x1**
 - 9.5 mm | 3/8" | **x1**
 - x2**
 - x1**
 - x1**

- 1:1**
- 1:1**



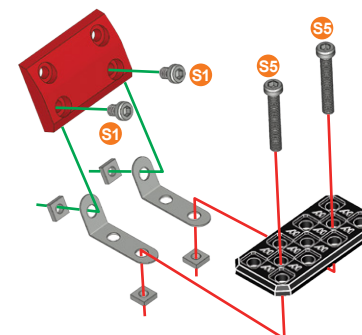
- 10**
- 5.8 mm | 15/64" | **x1**
 - 9.5 mm | 3/8" | **x1**
 - x2**
 - x1**
 - x1**

- 1:1**
- 1:1**



- 11**
- 5.8 mm | 15/64" | **x2**
 - 25.4 mm | 1" | **x2**
 - x4**
 - x2**
 - x1**
 - x1**

- 1:1**
- 1:1**

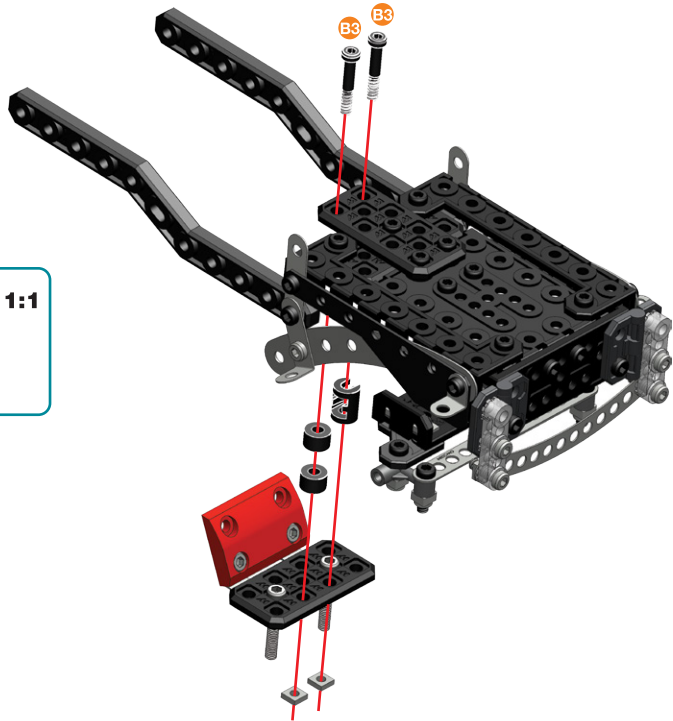


12

(10)+(11)+

- 23 mm | 1 5/16" | x2
- x2
- x2
- x1

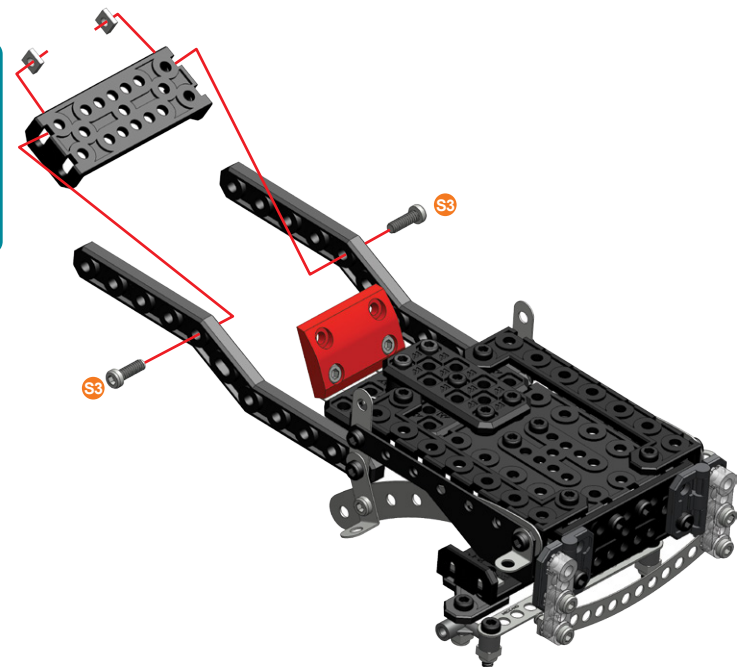
- 1:1
- A238



13

- 12 mm | 1/2" | x2
- x2
- x1

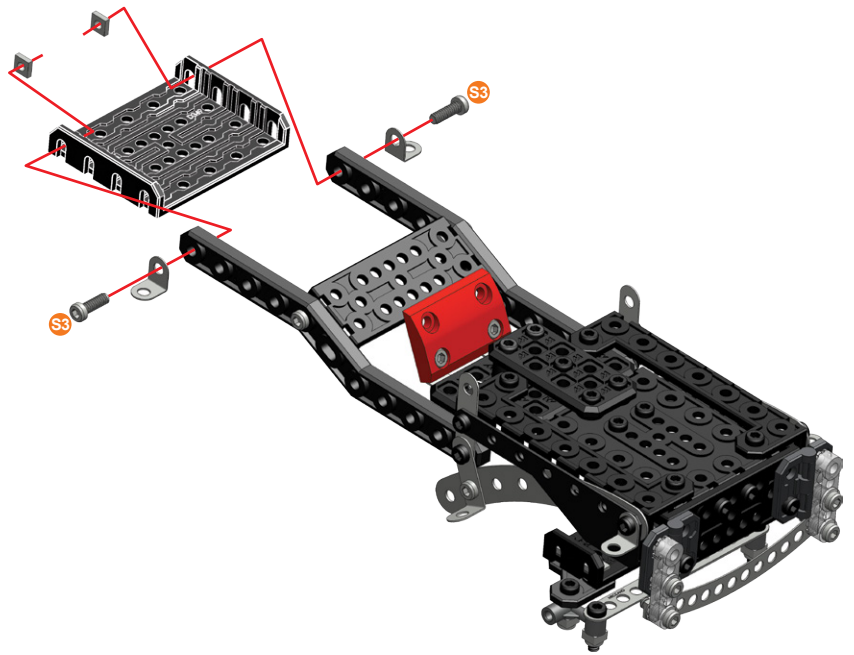
- 1:1



14

- 12 mm | 1/2" | x2
- x2
- x2
- x1


- 1:1



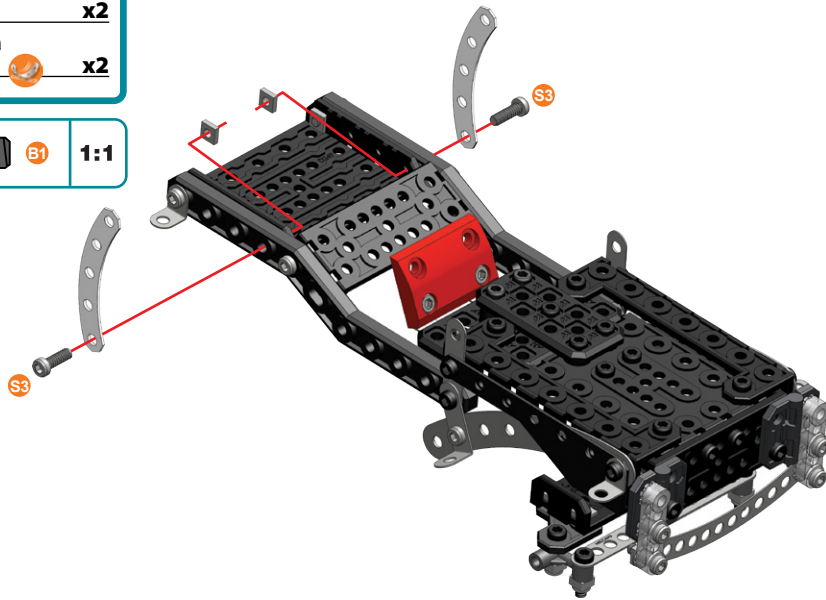
15

 B1 | 14.7 mm | x2
37/64"


 x2

 x2

 B1 | 1:1



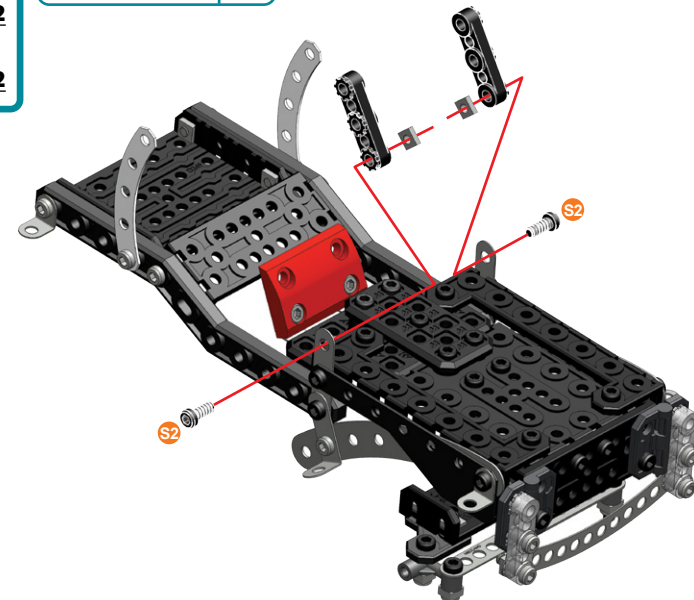
16

 S3 | 12 mm | x4
1/2"


 x2


 x2

 S3 | 1:1



17

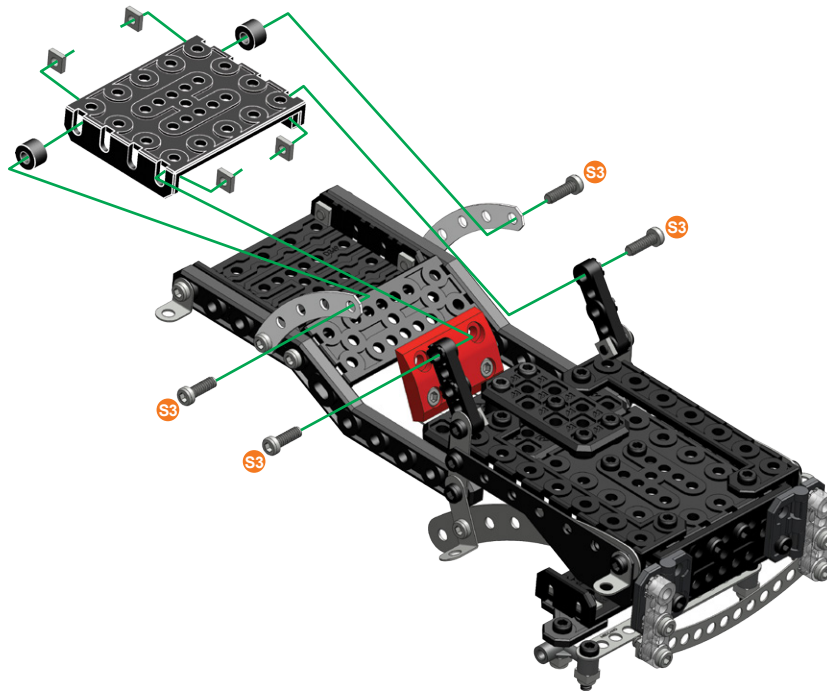
 S3 | 12 mm | x4
1/2"

 x4

 x2

 x1

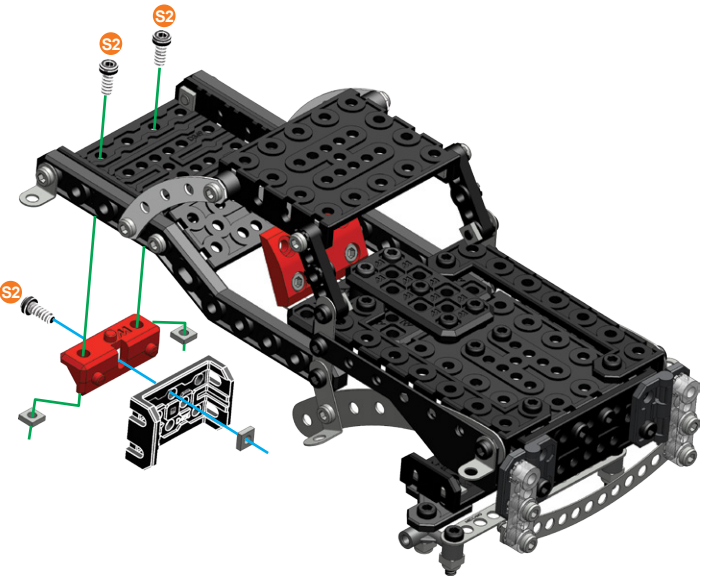
 S3 | 1:1
 A238



18

- 9.5 mm | 3/8" | x3
- x3
- x1
- x1

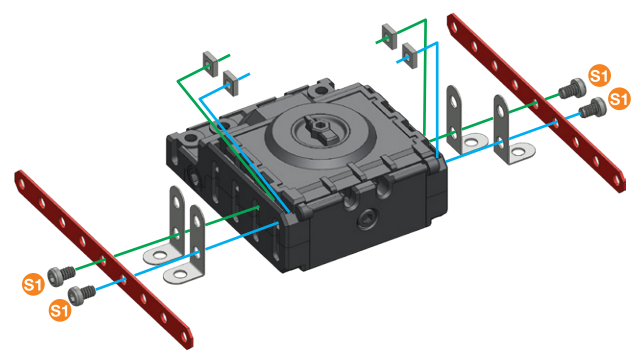
1:1



19

- 5.8 mm | 15/64" | x4
- x4
- x2
- x1

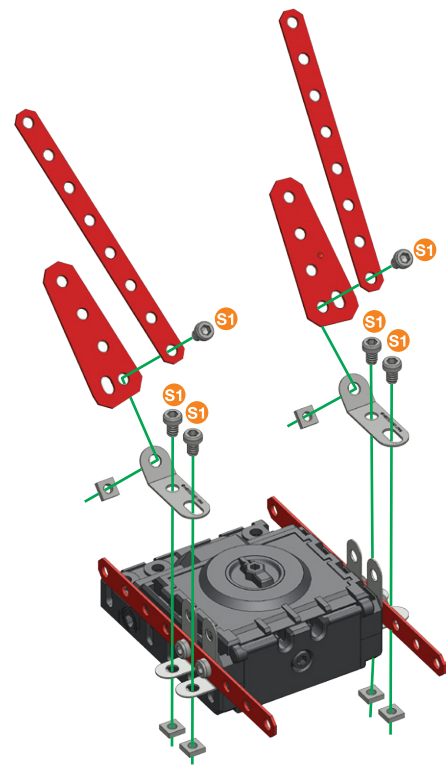
1:1



20

- 5.8 mm | 15/64" | x6
- x6
- x2
- x2
- x2

1:1

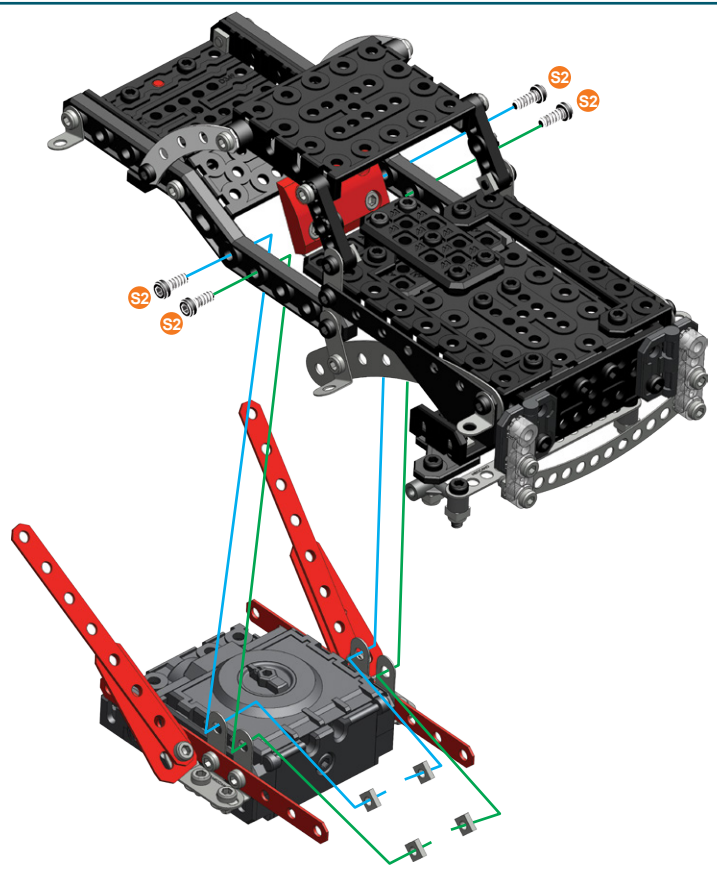


21

(18+20)+

- 9.5 mm | 3/8" | x4
- x4

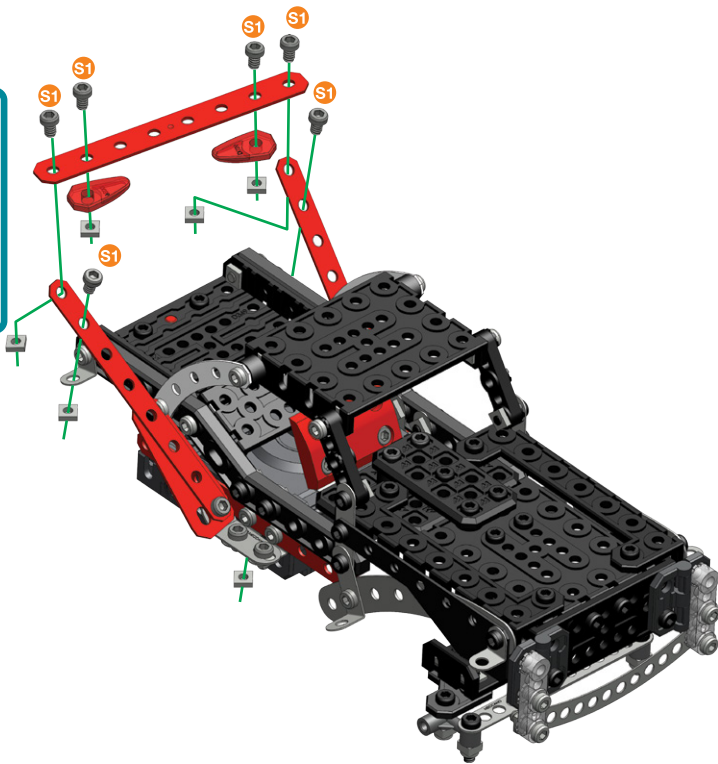
1:1



22

- 5.8 mm | 15/64" x6
- x6
- x2
- x1

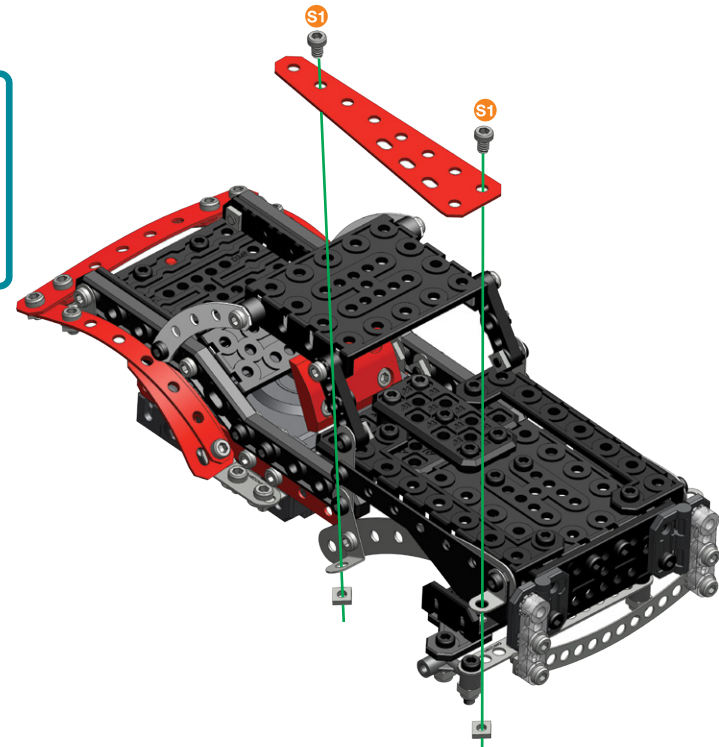
- S1 1:1



23

- 5.8 mm | 15/64" x2
- x2
- x1

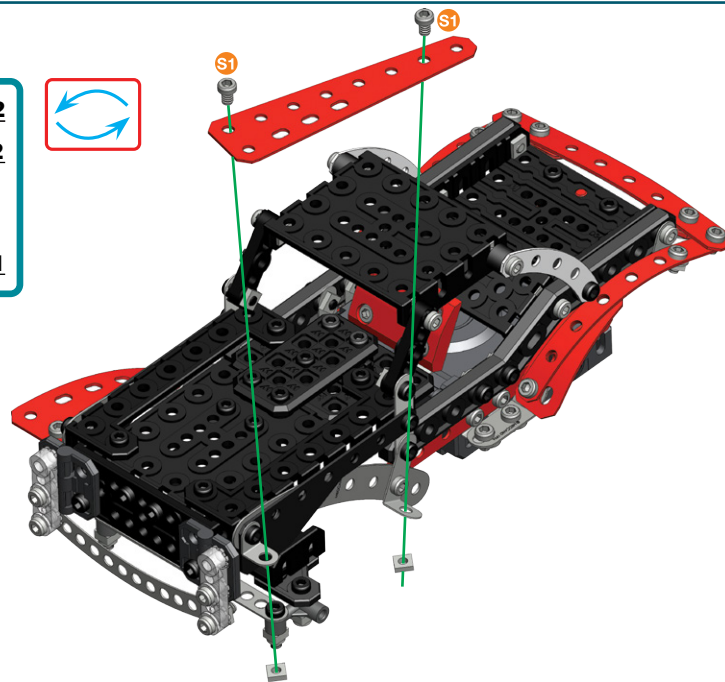
- S1 1:1



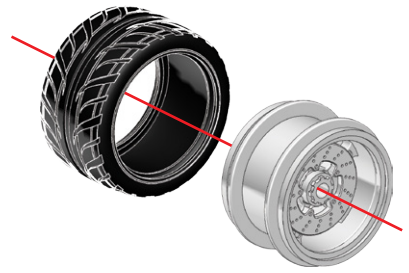
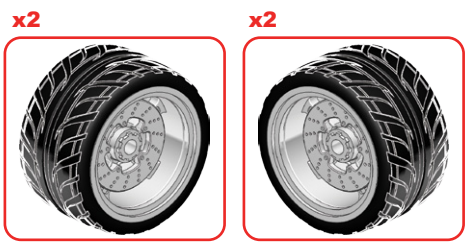
24

- 5.8 mm | 15/64" x2
- x2
- x1

- S1 1:1

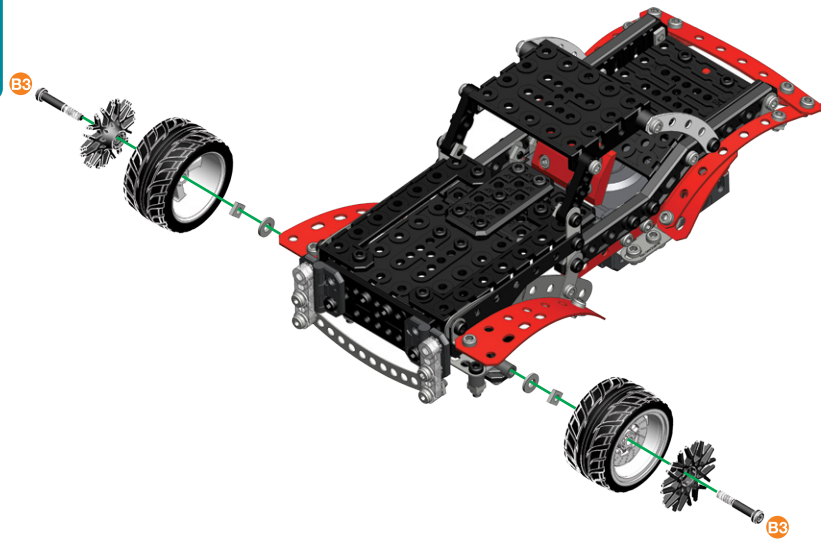
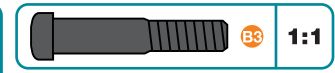
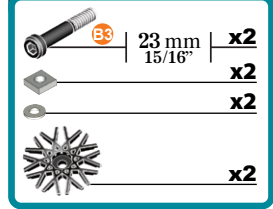


25



26

24+25+



27

25+26+

